

USER MANUAL

VALORE 425 PLUS

EN

DE

IT

FR

*Thank you for purchasing one of our units
and welcome into the Gold Note world,
where we turn High-End audio and music
into a new experience.*

Maurizio Aterini,
founder of Gold Note

A handwritten signature in black ink, appearing to read 'Maurizio Aterini', written in a cursive style.

IMPORTANT SAFETY INFORMATION

PLEASE NOTE

- 1 Do not disassemble any part of the product.
- 2 Do not use any part of the product for other purposes.
- 3 For service and problems of any kind, contact qualified Gold Note personnel.
- 4 Protect the product from rain, humidity and keep away from heat sources, electric and electronic motors etc. The power cord supplied must be used only on this unit.
- 5 Gold Note does not have responsibility for any improper use of this unit.

GENERIC INFORMATION

- | Read these instructions and store them.
- | Heed all warnings.
- | Follow the instructions.
- | Do not use this apparatus near water.
- | Clean only with a dry cloth.
- | Do not block the ventilation openings and install in accordance with the manufacturer's instructions.
- | Do not install near heat sources such as radiators, heat registers, stoves or other apparatus (including amplifiers) that produce heat.
- | Do not defeat the safety purpose of the polarised or grounding-type plug: a polarised plug has two blades with one wider than the other.
- | A grounding type plug has two blades and a third grounding prong. The wide blade or

the third prong are provided for your safety.

If the provided plug does not fit into your outlet, consult an electrician for replacement of the obsolete outlet, or pinched particularly at plugs, convenience receptacles, and the point where they exit from the apparatus.

- | Only use attachments/accessories specified by the manufacturer.
- | Use only with the cart, stand, tripod, bracket, or table specified by the manufacturer, or sold with the apparatus.

When a cart is used, use caution when moving the cart/apparatus combination to avoid injury from tip-over.

- | Unplug this apparatus during lightning storms or when unused for long periods of time. Refer all servicing to qualified service personnel only. Servicing is required when the apparatus has been damaged in any way (such as when the power cord or plug is damaged, liquid has been spilled or objects have fallen into the apparatus, the apparatus has been exposed to rain or moisture) and in any case when the apparatus does not operate normally or has been dropped.

This appliance has a serial number located on the rear panel.
Please record the model and serial number and retain them for your records.

MODEL

SERIAL NUMBER



CAUTION!

To reduce the risk of electric shock, do not remove cover (or back). No user-serviceable parts inside. Refer only to qualified Gold Note service personnel for service.



WARNING!

To prevent fire or shock hazard, do not expose this appliance to rain or moisture.



GOLD NOTE - Information on the correct management of waste from household Equipment pursuant to the European Directive 2012/19/EU

The crossed-out wheeled bin symbol shown on the equipment or its packaging indicates that the product, at the end of its useful life, must be collected separately from other waste to allow its proper treatment and recycling. The user must therefore deliver, free of charge, the end-of-life equipment to the centres for the separate collection of waste electrical and electronic equipment, or return it to the dealer in accordance with the procedures established by the legislation.

The appropriate separate collection of discarded equipment allows for proper recycling, treatment and environmentally compatible disposal, helping to avoid the possible dispersion of hazardous substances and negative effects on the environment and health, favouring the reuse and/or recycling of the materials of which the equipment is composed of. Illegal dumping of the product by the user involves the application of administrative sanction provided for by the legislation in force. We invite you consult the current legislation and the measures adopted by the public service operating in your country or territory.

| INDEX

INTRODUCTION AND FEATURES	1
DESIGN AND PERFORMANCE	2
TECHNICAL SPECIFICATIONS	3
SET-UP INSTRUCTIONS	4
UNBOXING	5
INSTALLING THE TURNTABLE	6
POWER ADAPTER AND SPEED CONTROL	10
CARTRIDGE CALIBRATION	11
DETACHABLE DUST COVER	13
PRODUCT REGISTRATION	14
TROUBLESHOOTING	15
RELATED PRODUCTS	16

| PACKAGE CONTENT

EN

DE

IT

FR

1x

VALORE 425 PLUS

1x

DUST
COVER
(with spacers)

1x

POWER
CABLE

1x

DRIVE
BELT

1x

PLATTER
SPINDLE TIP

1x

TONEARM
(pre-installed and calibrated)

2x

COUNTERWEIGHTS

| 110g | 28.5g

3x

ALLEN KEYS

| 2.5mm | 2.0mm | 1.5mm

1x

BALL
BEARING

1x

ANTI-
SKATING

1x

FELT MAT

1x

SPEED
CONTROL
(with cable)

1x

PROTRACTOR/OVERHANG
AND STROBOSCOPE

1x

OIL JAR

1x

GN STYLUS
GAUGE

3x

SPIKE
WASHERS

1x

USER
MANUAL

| INTRODUCTION AND FEATURES

Gold Note manufactures a wide range of prestigious and sophisticated audio products featuring unique and innovative technical and aesthetic characteristics.

The Valore 425 Plus is the definitive evolution of the Valore - produced by Gold Note since 2010 - one of the most successful Gold Note High-End Audio turntables created to combine audio performance with high quality finishes.

The Valore 425 Plus features a 30mm thick plinth precisely shaped around the platter's bearing system and the motor to drastically reduce all vibrations. The platter is 23mm thick and made of POM, a very elastic but deaf material, it features an extraordinary ability to reduce vibrations while the high-mass helps the rotational stability.

The design of the platter and the 60mm long platter bearing and spindle system come directly from our top level turntables and are finely machined to make this turntable the best performer of the category.

The 60mm long platter Spindle/bearing comes directly from the top quality design of the Mediterraneo; it is fully recessed into the acrylic top plinth in order to keep the platter as close as possible to the surface, reducing any turbulences generated by the rotation.

The PWM - Pulse Width Modulator - transforms the power voltage in three steps, AC-DC-AC, enhancing the best coupling of the AC semi-waves to cancel motor resistance and vibrations allowing the highest motor torque at the same time.

The Power Supply electronically controls the 33¹/₃ and 45 rpm speed modes, and the fine speed adjustment.

The new perfectly polished hourglass motor pulley also allows the turntable belt to spin smoothly thus reducing the wow&flutter and noise.

The Valore 425 Plus can be equipped with 9" tonearms of any manufacturer thus allowing many options and combinations. As standard, Valore 425 Plus is offered completed with a Gold Note dedicated 9" arm and a detachable dust cover.

The Valore 425 Plus is an extraordinary turntable that can be enjoyed in a large variety of prestigious High-End Audio systems: extremely reliable and easy to use, it is the ideal choice for all audio enthusiasts looking for audio quality, elegance and efficiency at the same time.

A new audio experience awaits you, welcome to the Italian Sound.

DESIGN AND PERFORMANCE

EN

DE

IT

FR

The sound delivered by our turntables is the result of the synergy of a large number of components. Your Valore 425 Plus features refined details and technical solutions developed to play your vinyl records to perfection.

The plinth is made of Italian Walnut hardwood or a high damped lacquered MDF. It's 30mm thick to provide a rigid structure, offering high stability to prevent vibrations.

The platter of Valore 425 Plus is 23mm thick and made of POM, a particularly deaf polymer we chose to guarantee the ideal balance between mass, speed control and insulation.

The spindle is made of high-quality stainless steel, a solid piece machined with the utmost precision to clamp the platter with the special conical shape Split-Spindle™ we developed. The spindle is 60mm long to ensure top-class performance and features a large longitudinal groove on its axis for the lubricating oil to run constantly. With its unique design and the perfect spindle/housing ratio, the spindle distributes the inertial energy along its entire axis completely cancelling lateral friction and preventing the pendulum effect of the platter.

Particular attention and care went into designing the spindle housing, which is recessed to allow the platter to be located as close as possible to the turntable plinth in order to minimise potential air turbulence and guarantee perfectly controlled rotation and speed.

The aluminium bearing is finely machined and rectified to guarantee smooth rotation and stability to the spindle, along with the custom platter bearing that is designed to reduce potential noise.

The platter bearing is threaded on the outside in order to be tightly locked into the plinth on its own axis achieving extremely precise coupling.

Our engineers have developed a custom AC 12V micro-controlled motor fine-tuned for accuracy, with 33 $\frac{1}{3}$ rpm & 45rpm electronic speed control and pitch adjustment. It delivers a flawless balance of power and torque while operating in complete silence.

| TECHNICAL SPECIFICATIONS

MAIN FEATURES

- | Wow & flutter:
0,2%
- | Rumble:
-75dB
- | Speed:
33 $\frac{1}{3}$ rpm and 45rpm \pm 0,1%
- | Speed changing:
Electronic with fine pitch control
- | Transmission:
70 shores rectified NBR belt
- | Motor:
High torque 12V synchronous
- | Platter:
23mm thick POM
- | Platter spindle:
Split-spindle™ clamping design
- | Platter bearing:
Chromed Steel 5mm ball bearing
- | Tonearm:
Gold Note B-5
- | Dust cover:
Transparent acrylic with hinges

POWER

- | Power supply:
18V DC, 100-240V / 50-60Hz
- | Power consumption:
max 27W

DIMENSIONS AND WEIGHT

- Dimensions:
425mm W | 160mm H | 360mm D
550mm W | 480mm H | 480mm D - boxed
- Weight:
Kg. 9.5
Kg. 15 - boxed

| SET-UP INSTRUCTIONS

EN

DE

IT

FR

FIRST OPERATION

- 1 Please remove carefully the protecting foam and check if all the listed items are supplied.
- 2 Place the turntable on a levelled surface.
- 3 Install the counterweight on the tonearm, ensure the tracking weight matches the requirements of your cartridge.
- 4 Install the drive belt around the motor pulley first, then carefully run it around the platter.
- 5 Connect the turntable to the Speed Control unit, then plug it to the AC.

POSITIONING THE TURNTABLE

Your turntable has been designed for Hi-Fi systems. It must be protected from direct sun and humidity. Do not place it near heating sources, electrical and electronic motors, mobile phones etc. The positioning on a solid shelf, is crucial to achieve the best audio performances possible.

SPEED CONTROL ADJUSTMENTS

The turntable is fully controlled by an electronic power supply.

- 1 Inner button starts and stops the 33 $\frac{1}{3}$ rpm speed. When this speed is playing, the red LED light is on.
- 2 Outer button starts and stops the 45rpm speed. When this speed is playing, the red LED light is on.

The turntable also features a fine speed adjustment "Pitch Control" function to allow for precise calibration of the speed.

PITCH CONTROL MODE

To adjust the speed, press and hold for 4 seconds both the 33 $\frac{1}{3}$ rpm and 45rpm buttons while the turntable is playing either speed until the red LED light shuts down.

| PITCH -

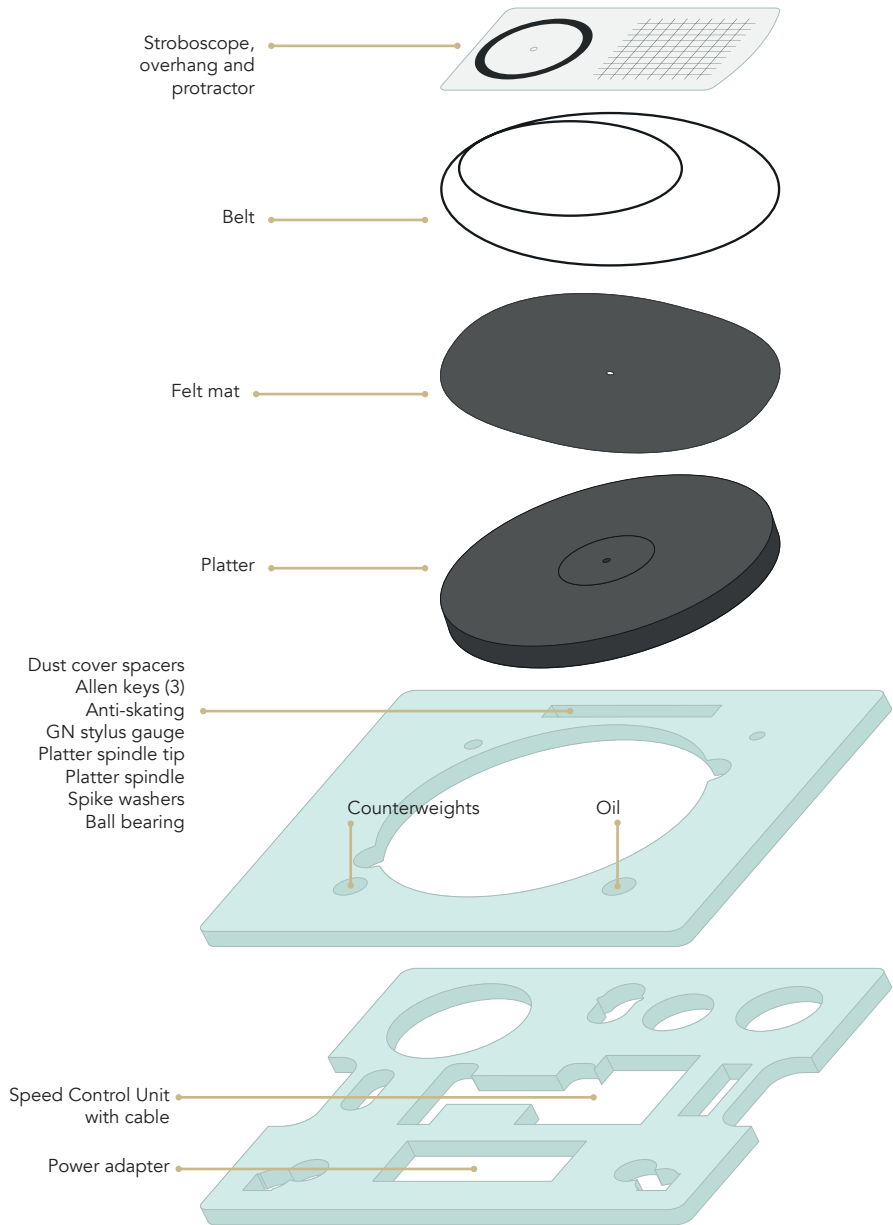
Press the 33 $\frac{1}{3}$ rpm button until the correct speed is reached. The LED light flashes every time the button is pressed.

| PITCH +

Press the 45rpm button until the correct speed is reached. The LED light flashes every time the button is pressed.

To switch off of the PITCH CONTROL MODE press and hold for 4 seconds both the 33 $\frac{1}{3}$ rpm and the 45rpm buttons until the LED light is on and steady again.

| UNBOXING



| INSTALLING THE TURNTABLE

EN

DE

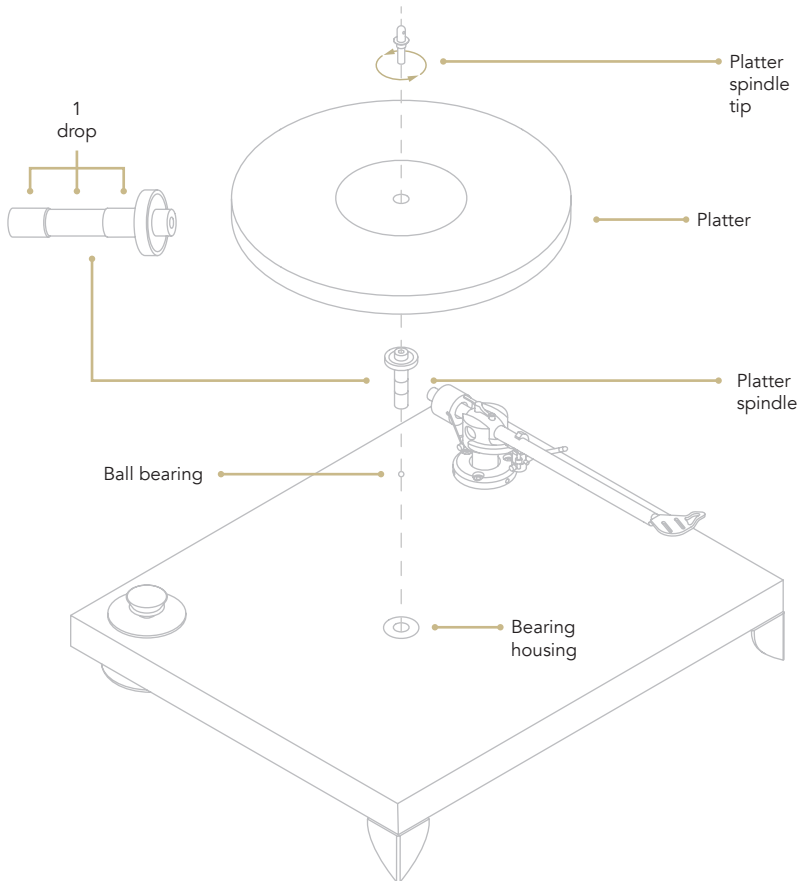
IT

FR

PLATTER

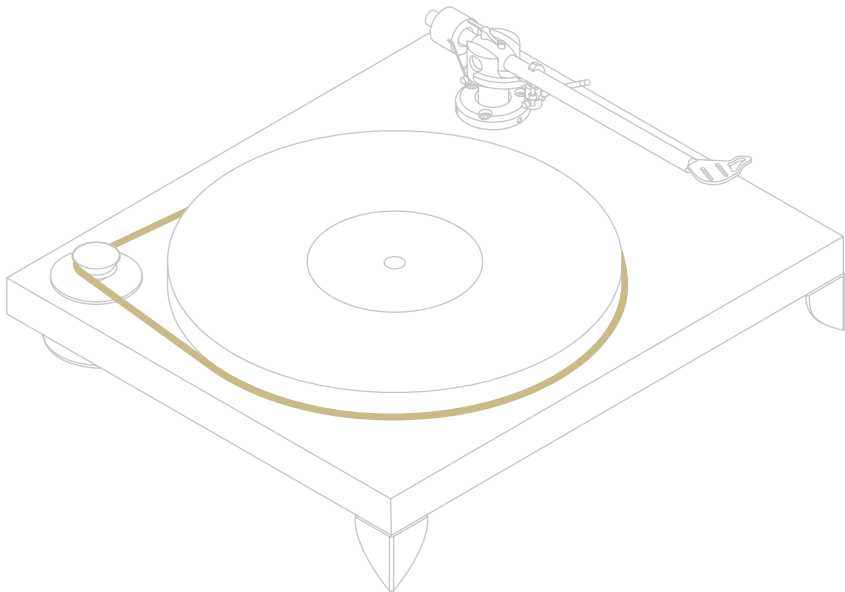
- 1 Remove the cap from the center of the turntable.
- 2 Insert the ball bearing into the bearing housing of the turntable taking care to centre it on the bottom seat.
- 3 Add oil to spindle as shown in figure.
- 4 Insert the spindle into the bearing housing.
- 5 Position the platter on the spindle.
- 6 Tighten the spindle tip onto the spindle to lock the platter in place.

*PLEASE NOTE: the bearing housing is already installed in the plinth of the turntable. Do not remove it.



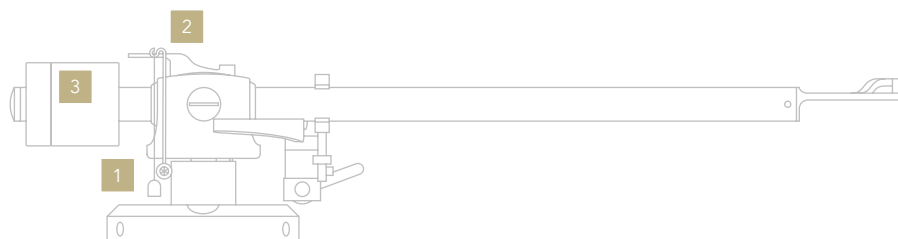
BELT AND THE TONEARM CABLE

Wrap the belt around the pulley and the platter as shown in the picture.



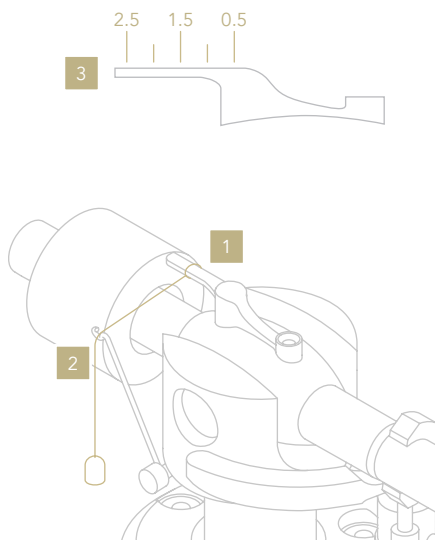
ANTI-SKATING AND COUNTERWEIGHT

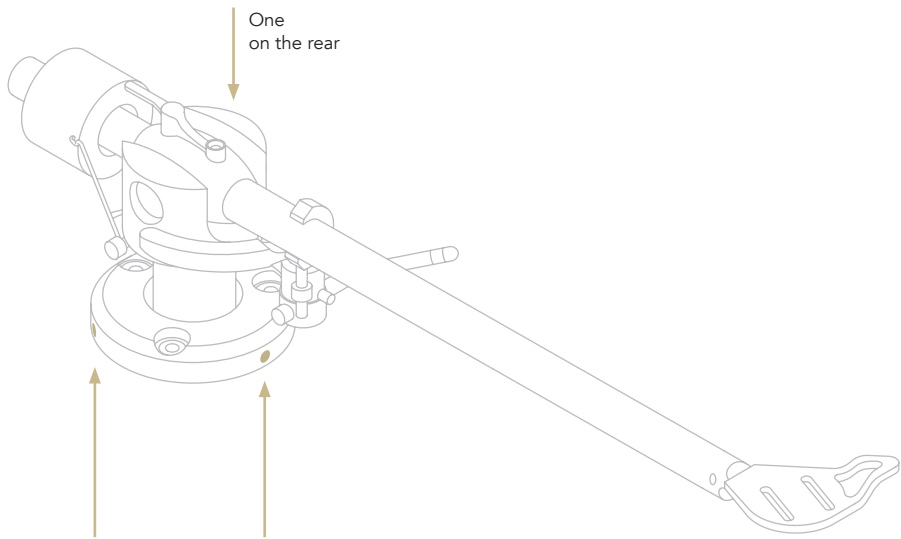
- 1 Anti-skating: Nylon wire with bullet counterweight.
- 2 Anti-skating: Adjustment bar.
- 3 Tonearm counterweight: to set up the correct tracking force depending on the phono cartridge in use.



INSTALLING THE ANTI-SKATING SYSTEM

- 1 Slip the loop of the ANTI-SKATING nylon wire over the groove of the ADJUSTMENT BAR.
- 2 Feed the wire through the loop of the SUPPORT HOOP.
- 3 Adjust the ANTI-SKATING force choosing the correct groove on the ADJUSTMENT BAR.





VTA SETUP

Use the 1.5mm Allen key supplied to adjust the VTA. Before moving the tonearm, loosen the hex bolts found in the tonearm collar. We recommend to loosen one hex bolt at a time (usually loosening one is enough to adjust the VTA).

POWER ADAPTER AND SPEED CONTROL

EN

DE

IT

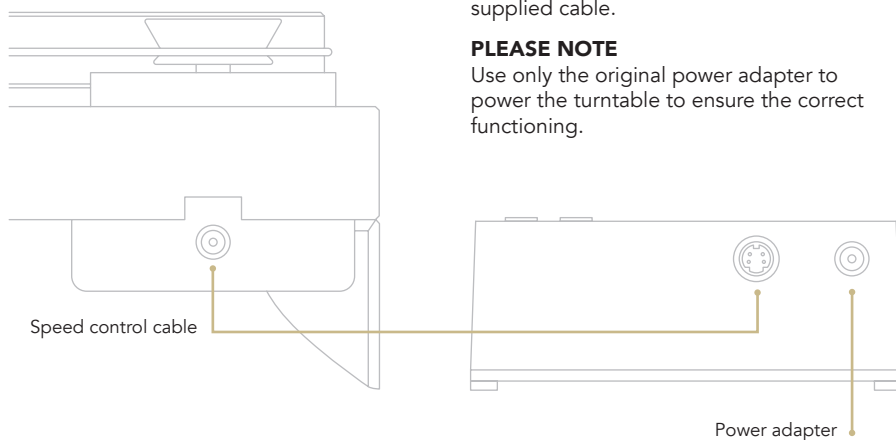
FR

CONNECTING THE POWER SUPPLY

Before plugging the power adapter in to the AC make sure the speed control unit and turntable are correctly connected with the supplied cable.

PLEASE NOTE

Use only the original power adapter to power the turntable to ensure the correct functioning.



TURNTABLE SPEED CONTROL

33rpm:

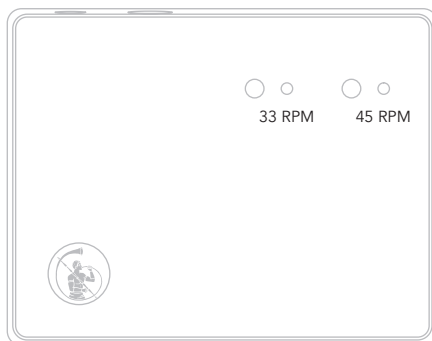
Starts and stops the 33 $\frac{1}{3}$ rpm speed.
The LED light flashes every time the button is pressed.

45rpm:

Starts and stops the 45rpm speed.
The LED light flashes every time the button is pressed.

PITCH CONTROL MODE

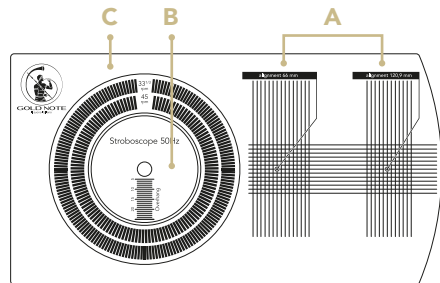
Please check page 4 for detailed instructions on how to fine adjust the speed of your turntable.



| CARTRIDGE CALIBRATION

Our turntables and tone arms are always pre-calibrated at our factory but you can use the GN Calibration tool to adjust the:

- A** Phono Cartridge alignment.
- B** Overhang.
- C** 45rpm and 33 $\frac{1}{3}$ rpm speed (requires a strobe light).



SPEED ADJUSTMENTS

Check the speed with the help of a strobe light while the platter is spinning.

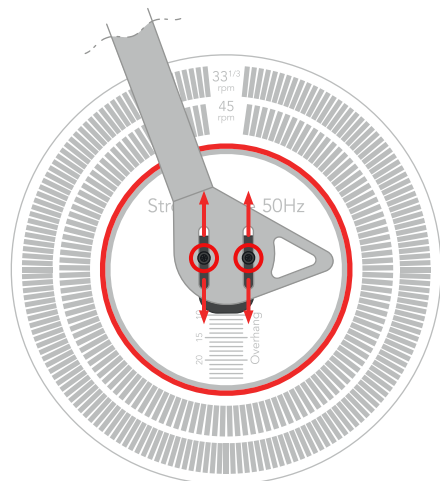
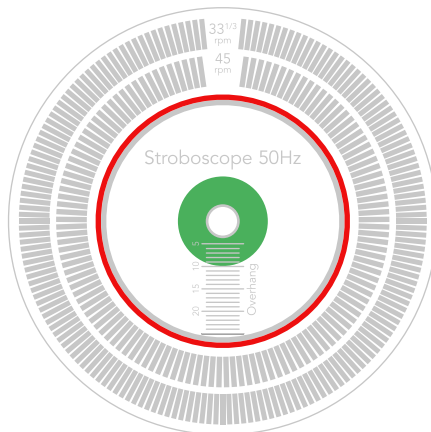
The outer line is to check the 33 $\frac{1}{3}$ rpm.

The inner line is to check the 45rpm.

OVERHANG

To set the correct overhang the Calibration Tool must be inserted on to the turntable record pin and the cartridge Tip must be positioned on top of the pin.

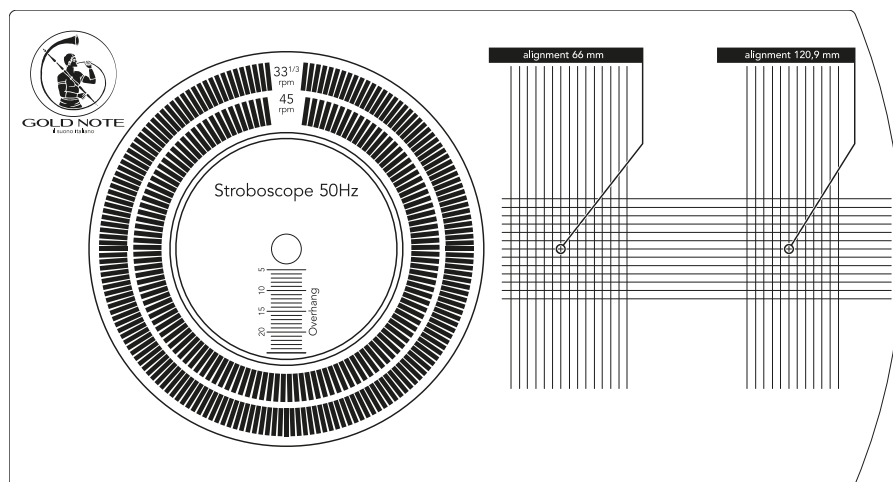
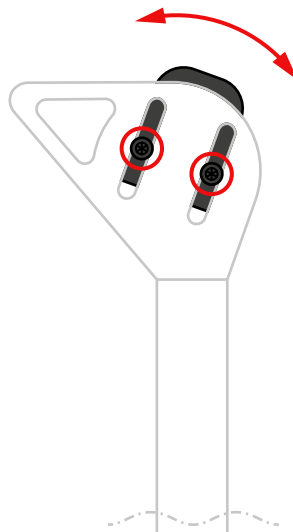
Adjust the position of the cartridge until the overhang of the phono cartridge matches the manufacturer's specifications.



ALIGNMENT

To correctly align the phono cartridge and achieve the best tracking position, point the tip of the phono cartridge into the circles as in the picture below.

The body of the phono cartridge must be aligned to the vertical lines.



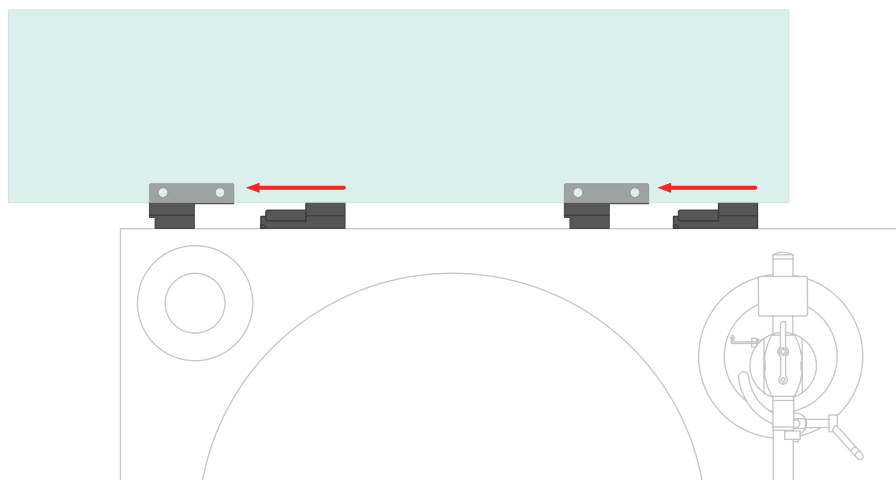
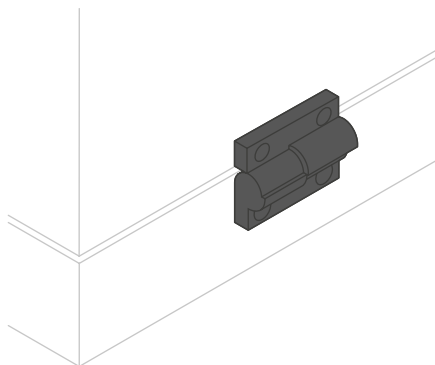
| DETACHABLE DUST COVER

The dust cover features detachable hinges, a new proprietary design developed to let you enjoy your turntable at the best.

The hinges provide a stop point at about 90°: in this position the dust cover is stable and held in place by the hinges.

Removing the dust cover is simple and quick: lift the dust cover until it reaches the 90° stop point and it's completely opened, then gently slide it towards LEFT (facing the turntable) to detach it from the plinth.

Please note: the dust cover can be removed and reinserted only when it's in its resting position, at 90°.



| PRODUCT REGISTRATION

EN

DE

IT

FR

PRODUCT REGISTRATION

We recommend to register the unit on our internet website within 15 days from the purchase at www.goldnote.it/product-registration

If the unit is not registered correctly or has been purchased from a different country of the purchaser home address the unit will not be covered by any warranty and the registration will be refused.

Please note that the warranty does not cover in any case: Tubes, Phono Cartridge Stylus and Batteries.



www.goldnote.it/product-registration

WARRANTY

All Gold Note products come with a warranty against defective materials and workmanship.

Any service and inspection must be carried out by a Gold Note dealer or distributor so in case you need any assistance with this product, please contact the seller.

PLEASE NOTE

Descriptions and technical characteristics may vary at any time and without notice.

WARNING

Gold Note products should only be opened, serviced and inspected by certified Gold Note technicians and dealers. Work performed by unqualified personnel may cause serious damage or personal injury. Opening of the product by non-authorized personnel will void the guarantee.

In this case, contact your dealer to be advised on how the fault can be solved.

Do not return any object directly to the factory or to the distributor without being authorised to do so.

| TROUBLESHOOTING

PROBLEM	CAUSE	SOLUTION
Levelling the turntable.	The turntable is not levelled.	Use a spirit level to help yourself and adjust the levelling by screwing or unscrewing the feet. Unscrewing a foot increase the height of that corner.
Cleaning the turntable.	The turntable is dusty or requires cleaning.	With EXTREME care use ONLY very soft 100% cotton cloth to sweep dust and stains out. Any acid, alcohol or not extremely soft cloth will irreversibly damage the turntable fine aesthetic. Only dry cloth is allowed.
Motor heating.	The motor is too hot.	AC synchronous motors as the ones used by Gold Note may warm up to 50° Celsius without creating any problem.
Noise on startup.	The turntable produces a slight rubbing noise upon startup.	It is normal for the belt to produce a slight noise before the optimal speed is reached.

| RELATED PRODUCTS

EN

DE

IT

FR

CARTRIDGES

| DONATELLO

Lightweight MC phono cartridge with top-of-the-range performance. Features Micro Elliptical diamonds, copper coils and Duraluminium body.

| VASARI

High-quality MM phono cartridge featuring Elliptical or Conical diamond tips and copper coils in a special computer-designed body.

PHONO STAGES

| PH-10

The PH-10 is a fully analogue phono preamplifier that offers unique features, including EQ CURVES, LOAD and GAIN adjustments, and an intuitive UX thanks to its SKC (Single Knob Control) and display.

POWER SUPPLIES

| PST-10

The PST-10 is the external power supply dedicated to Gold Note turntables. Improves the soundstage and the dynamic range, delivering even finer details and realism.



Discover more on our website

www.goldnote.it

EN

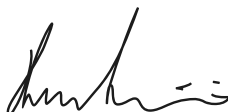
DE

IT

FR

*Vielen Dank, dass Sie sich für eines unserer
Geräte entschieden haben und herzlich
Willkommen in der Welt von Gold Note, wo
wir High-End Audio und Musik in eine neue
Erfahrung verwandeln.*

Maurizio Aterini,
Gründer von Gold Note



WICHTIGE SICHERHEITSHINWEISE

BITTE BEACHTEN

- 1 Nehmen Sie das Gerät nicht auseinander.
- 2 Verwenden Sie das Gerät oder Teile davon nicht für einen anderen als den vorgesehenen Zweck.
- 3 Für Reparaturen und Probleme jeglicher Art wenden Sie sich bitte an den Gold Note Fachhändler.
- 4 Schützen Sie das Produkt vor Nässe und Feuchtigkeit und halten Sie es fern von Wärmequellen, elektrischen und elektronischen Motoren, usw. Das mitgelieferte Netzkabel darf nur an diesem Gerät verwendet werden.
- 5 Gold Note übernimmt keine Verantwortung für Schäden durch unsachgemäße Handhabung.

ALLGEMEINE HINWEISE

- | Lesen und verwahren Sie diese Anleitung.
- | Beachten Sie alle Warnungen.
- | Befolgen Sie alle Anweisungen.
- | Verwenden Sie dieses Gerät nicht in der Nähe von Wasser.
- | Reinigen Sie das Gerät nur mit einem trockenen Tuch.
- | Blockieren Sie keine Lüftungsöffnungen. Installieren Sie das Gerät gemäß den Anweisungen des Herstellers.
- | Installieren Sie das Gerät nicht in der Nähe von Wärmequellen wie Heizkörpern, Heizregistern, Öfen oder anderen Geräten (einschließlich Verstärkern), die Wärme erzeugen.

| Die Sicherheitsfunktion des gepolten oder geerdeten Steckers darf nicht beeinträchtigt werden. Ein polarisierter Stecker hat zwei Blätter, von denen einer breiter als der andere ist. Ein geerdeter Stecker hat zwei Klingen und einen dritten Erdungsstift. Die breite Klinge oder der dritte Zinken dienen Ihrer Sicherheit. Wenn der mitgelieferte Stecker nicht in Ihre Steckdose passt, wenden Sie sich an einen Elektriker, um die veraltete Steckdose auszutauschen.

| Schützen Sie das Netzkabel vor unbefugtem Betreten oder Quetschungen, insbesondere an Steckern, Steckdosen und an der Stelle, an der sie aus dem Gerät austreten.

| Verwenden Sie nur die vom Hersteller angegebenen Anbaugeräte/Zubehörteile.

| Verwenden Sie das Gerät nur mit dem vom Hersteller angegebenen oder mit dem Gerät verkauften Wagen, Ständer, Stativ, Halter oder Tisch. Wenn ein Wagen benutzt wird, seien Sie vorsichtig, wenn Sie die Kombination Wagen/Gerät bewegen, um Verletzungen durch Umkippen zu vermeiden.

| Das Gerät soll bei Gewitter oder längerer Nichtbenutzung vom Netz getrennt werden.

| Die Wartungsarbeiten und Reparaturen nur von qualifizierten Fachpersonal des Kundendienst ausführen lassen. Das Gerät zum Kundendienst bringen, wenn es Regen oder Feuchtigkeit ausgesetzt war, wenn Flüssigkeit oder Fremdkörper hineingelangt sind, wenn es heruntergefallen ist oder nicht normal funktioniert, oder wenn das Netzkabel beschädigt ist.

Dieses Gerät hat eine Seriennummer auf der Rückseite.
Bitte notieren Sie sich die Modell- und Seriennummer und bewahren Sie diese für Ihre Unterlagen auf.

MODELL

SERIENNUMMER

EN

DE

IT

FR

ELEKTRO- UND ELEKTRONIKGERÄTE INFORMATIONEN FÜR PRIVATE HAUSHALTE

Das Elektro- und Elektronikgerätegesetz (ElektroG) enthält eine Vielzahl von Anforderungen an den Umgang mit Elektro- und Elektronikgeräten. Die wichtigsten sind hier zusammengestellt.

1 GETRENNTE ERFASSUNG VON ALTGERÄTEN

Elektro- und Elektronikgeräte, die zu Abfall geworden sind, werden als Altgeräte bezeichnet. Besitzer von Altgeräten haben diese einer vom unsortierten Siedlungsabfall getrennten Erfassung zuzuführen. Altgeräte gehören insbesondere nicht in den Hausmüll, sondern in spezielle Sammel- und Rückgabesysteme.

2 BATTERIEN UND AKKUS SOWIE LAMPEN

Besitzer von Altgeräten haben Altbatterien und Akkumulatoren, die nicht vom Altgerät umschlossen sind, sowie Lampen, die zerstörungsfrei aus dem Altgerät entnommen werden können, in Regelfall vor der Abgabe an einer Erfassungsstelle vom Altgerät zu trennen. Dies gilt nicht, soweit Altgeräte einer Vorbereitung zur Wiederverwendung unter Beteiligung eines öffentlich-rechtlichen Entsorgungsträgers zugeführt werden.

3 MÖGLICHKEITEN DER RÜCKGABE VON ALTGERÄTEN

Besitzer von Altgeräten aus privaten Haushalten können diese bei den Sammelstellen der öffentlich-rechtlichen Entsorgungsträger oder bei den von Herstellern oder Vertriebern im Sinne des ElektroG eingerichteten Rücknahmestellen unentgeltlich abgeben.

Rücknahmepflichtig sind Geschäfte mit einer Verkaufsfläche von mindestens 400 m² für Elektro- und Elektronikgeräte sowie diejenigen Lebensmittelgeschäfte mit einer Gesamtverkaufsfläche von mindestens 800 m², die mehrmals pro Jahr oder dauerhaft Elektro- und Elektronikgeräte anbieten und auf dem Markt bereitstellen. Dies gilt auch bei Vertrieb unter Verwendung von Fernkommunikationsmitteln, wenn die Lager- und Versandflächen für Elektro- und Elektronikgeräte mindestens 400 m² betragen oder die gesamten Lager- und Versandflächen mindestens 800 m² betragen. Verreiberhabendie-Rücknahmegrundsätzlich durch geeignete Rückgabemöglichkeiten in zumutbarer Entfernung zum jeweiligen Endnutzer zu gewährleisten.

Die Möglichkeit der unentgeltlichen Rückgabe eines Altgerätes besteht bei rücknahmepflichtigen Vertriebern unter anderem dann, wenn ein neues gleichartiges

Gerät, das im Wesentlichen die gleichen Funktionen erfüllt, an einen Endnutzer abgegeben wird. Wenn ein neues Gerät an einen privaten Haushalt ausgeliefert wird, kann das gleichartige Altgerät auch dort zur unentgeltlichen Abholung übergeben werden; dies gilt bei einem Vertrieb unter Verwendung von Fernkommunikationsmitteln für Geräte der Kategorien 1, 2 oder 4 gemäß § 2 Abs. 1 ElektroG, nämlich „Wärmeüberträger“, „Bildschirmgeräte“ oder „Großgeräte“ (letztere mit mindestens einer äußeren Abmessung über 50 Zentimeter). Zu einer entsprechenden Rückgabe-Absicht werden Endnutzer beim Abschluss eines Kaufvertrages befragt. Außerdem besteht die Möglichkeit der unentgeltlichen Rückgabe bei Sammelstellen der Verreiber unabhängig vom Kauf eines neuen Gerätes für solche Altgeräte, die in keiner äußeren Abmessung größer als 25 Zentimeter sind, und zwar beschränkt auf drei Altgeräte pro Gerätart.

1 DATENSCHUTZ-HINWEIS

Altgeräte enthalten häufig sensible personenbezogene Daten. Dies gilt insbesondere für Geräte der Informations- und Telekommunikationstechnik wie Computer und Smartphones. Bitte beachten Sie in Ihrem eigenen Interesse, dass für die Löschung der Daten auf den zu entsorgenden Altgeräten jeder Endnutzer selbst verantwortlich ist.

2 BEDEUTUNG DES SYMBOLS „DURCHGESTRICHENE MÜLLTonne“



Das auf Elektro- und Elektronikgeräten regelmäßig abgebildete Symbol einer durchgestrichenen Mülltonne weist darauf hin, dass das jeweilige Gerät am Ende seiner Lebensdauer getrennt vom unsortierten Siedlungsabfall zu erfassen ist.

Hersteller-Informationen gemäß § 18 Abs. 4 ElektroG (neu)



VORSICHT!

Um die Gefahr eines Stromschlags zu verringern, entfernen Sie nicht die Abdeckung (oder die Rückseite). Keine vom Benutzer zu wartenden Teile im Inneren befindlich. Für die Wartung wenden Sie sich ausschließlich an qualifiziertes Gold Note Servicepersonal.



WARNUNG!

Um Feuergefahr oder das Risiko elektrischer Schläge zu vermeiden, darf das Gerät nicht der Nässe oder Feuchtigkeit ausgesetzt werden.

| INHALT

EINLEITUNG UND SCHLÜSSELMERKMALE	24
DESIGN UND PERFORMANCE	25
TECHNISCHE ANGABEN	26
AUFBAUHINWEISE	27
ZUBEHÖR AUSPACKEN	28
MONTAGE DES PLATTENSPIELERS	29
NETZANSCHLUSS UND DREHZAHLUMSCHALTUNG	33
AUSRICHTUNG TONABNEHMER	34
ABNEHMBARE SCHUTZHAUBE	36
PRODUKTREGISTRIERUNG	37
FEHLERBEHEBUNG	38
VERWANDTE PRODUKTE	39

EN

DE

IT

FR

| PACKUNGSGEHALT

1x

VALORE 425 PLUS

1x

NETZTEIL
18V
(mit Kabel)

1x

VERSCHRAUBUNG FÜR
PLATTENTELLER

1x

SCHUTZHAUBE
(mit Abstandhalter)

1x

LAGERKUGEL

2x

GEGENGEWICHT
| 110g | 28.5g

3x

INBUSSCHLÜSSEL

| 2.5mm | 2.0mm | 1.5mm

1x

ANTRIEBSRIEMEN

1x

FILZMATTE

1x

ÖL

1x

ÜBERHANG MIT STROBOSKOPSCHEIBE
Für die Feineinstellung der Geschwindigkeit und des
Tonabnehmers

1x

TONARM
(vorinstalliert
und kalibriert)

1x

GERÄT ZUR KONTROLLE DER
DREHZAHL
(mit Kabel)

1x

ANTI-
SKATING

1x

TONARMWAAGE

3x

UNTERLEGSCHIEBEN FÜR
SPIKES

1x

BEDIENUNGSANLEITUNG

EINLEITUNG UND SCHLÜSSELMERKMALE

EN

DE

IT

FR

Gold Note stellt eine umfangreiche Reihe von edlen und gut konstruierten HiFi-Geräten her mit einzigartigen und innovativen ästhetischen sowie technischen Eigenschaften.

Der Valore 425 Plus ist eine konsequente Weiterentwicklung des Valore, welches seit 2010 gebaut wird und eins der erfolgreichsten Gold Note High-End Plattenspielermodelle darstellt. Dieses Einsteigermodell verbindet gute Klangqualität mit hervorragender Verarbeitung und einer eleganten Gestaltung.

Der Valore 425 Plus hat eine 30 mm starke Grundplatte, die rings um das Tellerlager und den Motor exakt geformt ist, um die Übertragung unerwünschter Resonanzen zu verhindern. Der Plattenteller besteht aus 23mm starkem POM, einem elastischen aber resonanzarmen Material, das Vibrationen außerordentlich gut unterdrückt und durch seine hohe Masse den Gleichlauf stabilisiert.

Das Design des Tellers und des 60mm langen Lagers sind direkt aus unseren Spitzenmodellen abgeleitet und machen dieses Modell in ihrer präzisen Ausführung zum besten seiner Klasse.

Das 60mm lange Tellerlager stammt direkt vom hochwertigen Design des Mediterraneo ab. Es ist in der Acrylplatte versenkt, um den Teller so dicht wie möglich über dem Chassis schweben zu lassen - das reduziert durch die Drehung verursachte Luftwirbel und den Pendeleffekt.

Der Impulsbreitenmodulator transformiert die Netzspannung in drei Schritten, AC-DC-AC, zur Verbesserung der optimalen Kopplung der Wechselstrom-Halbschwingung und arbeitet bei hohem Durchzug mit perfekter Drehzahlkonstanz sowie völliger Laufruhe.

Die Schaltung bietet die beiden Geschwindigkeiten $33\frac{1}{3}$ rpm und 45rpm und eine Feineinstellung der Drehzahl.

Die neuartige, hochwertig polierte Riemenscheibe mit spezieller Formgebung sorgt für eine einwandfreie Kraftübertragung auf den Riemen und vermindert Gleichlaufschwankungen und Rumpeln deutlich.

Verschiedene 9-Zoll Arme können auf diesem Plattenspieler montiert werden. Serienmäßig ist der Valore 425 Plus mit einem zugehörigen Gold Note Tonarm und einer abnehmbaren Abdeckhaube ausgestattet.

Der Valore 425 Plus ist ein hochwertiger Plattenspieler, der in ganz unterschiedlichen High-End Anlagen zur vollsten Zufriedenheit arbeiten sollte, er ist zudem außerordentlich zuverlässig und einfach in der Handhabung und die ideale Wahl, wenn es um höchste Wiedergabegüte und Eleganz geht.

Es erwartet Sie eine neue Art der Hörerfahrung, willkommen in der Welt des Italienischen Klangs.

| DESIGN UND PERFORMANCE

Der Klang, den unsere Plattenspieler liefern, resultiert aus dem Zusammenspiel vieler Faktoren: Ihr Valore 425 Plus Plattenspieler zeichnet sich durch raffinierte Details und technische Lösungen aus, die entwickelt wurden, um Ihre Schallplatten auf perfekte Weise abzuspielen.

| Die Grundplatte aus italienischem Walnuss-Harholz oder lackierten MDF ist 30mm hoch, um eine besonders steife Grundlage zu schaffen, die hohe Stabilität bietet und unerwünschten Vibrationen vorbeugt.

| Der Teller des Valore 425 Plus ist aus 23mm starkem POM gefertigt, einem besonders schalltotem Polymerkunststoff, der von uns gewählt wurde, um eine ideale Balance zwischen Masse, Geschwindigkeitskontrolle und Isolierung zu garantieren.

| Die Lagerachse ist aus hochwertigem Edelstahl und mit höchster Präzision gefertigt, um den Teller mit der speziellen, konisch geformten Split-Spindle™ Achse einzuspannen, die wir eigens für unsere Plattenspieler entwickelt haben. Das Hauptlager hat eine Länge von 60mm, um erstklassige Leistungen zu gewährleisten und mit der speziellen, längsgerichteten Öl-Führung für eine kontinuierliche Schmierung zu sorgen. Dank seiner einzigartigen Gestalt und dem perfekten Verhältnis von Achse und Buchse, verteilt das Lager die Trägheitskräfte, wodurch laterale Reibung vermindert und der Pendeleffekt des Tellers verhindert wird.

| Besondere Aufmerksamkeit wurde der Formgebung der Lagerbuchse geschenkt, die versenkt eingesetzt ist, um eine besonders niedrige Anordnung des Tellers mit geringem Abstand zum Chassis und dadurch eine Verminderung von Turbulenzen bei der Drehung zu erlauben.

| Die Lagerbuchse aus Aluminium ist fein bearbeitet für eine gleichmäßige Rotation und hat ein besonders rumpelarmes Widerlager.

| Außen trägt das Tellerlager ein Gewinde, um anhand der eignen Achse fest in den Plattenspieler verschraubt zu werden, wodurch eine besonders präzise Kopplung erzielt wird.

| Unsere Ingenieure haben einen speziellen 12V Motor entwickelt, der für die Ganggenauigkeit durch einen Micro-Controller elektronisch geregelt wird, mit elektronisch kontrollierten Geschwindigkeiten $33\frac{1}{3}$ rpm und 45rpm sowie mit Feineinstellung. Er bietet eine fehlerfreie Balance von Kraft und Durchzug bei vollständiger Laufruhe.

| TECHNISCHE ANGABEN

EN

DE

IT

FR

HAUPTMERKMALE

- | Gleichlaufschwankungen:
0,2%
- | Rumpelabstand:
-75dB
- | Drehzahlen:
33 $\frac{1}{3}$ rpm und 45rpm \pm 0,1%
- | Umschaltung:
Elektronisch mit Feineinstellung
- | Übertragung:
Präzise geschliffener Riemen aus NBR
- | Antrieb:
Mit durchzugsstarkem elektronisch
geregeltem 12V Synchronmotor
- | Teller:
Aus 23mm POM
- | Tellerachse:
In "Split-SpindleTM" Bauart zur
Einspannung des Plattentellers
- | Vertikallagerung:
Mit 5mm Chromstahl Lagerkugel
- | Tonarm:
Gold Note B-5
- | Abdeckhaube:
Transparentes Acryl mit Scharnieren

NETZVERSORGUNG

- | Netzspannungen:
18V DC, 100-240V / 50-60Hz
- | Leistungsaufnahme:
max 27W

ABMESSUNGEN UND GEWICHT

- Abmessungen:
425mm B | 160mm H | 360mm T
550mm B | 480mm H | 480mm T - verpackt
- Gewicht:
Kg. 9.5
Kg. 15 - verpackt

| AUFBAUHINWEISE

INBETRIEBNAHME

- 1 Bitte entfernen Sie vorsichtig alles Verpackungsmaterial und prüfen den Inhalt auf Vollständigkeit.
- 2 Stellen Sie den Plattenspieler auf eine ebene Unterlage und richten Sie ihn sorgfältig aus.
- 3 Stecken Sie das Gegengewicht auf den Tonarm und kontrollieren Sie die korrekte Auflagekraft Ihres Tonabnehmers.
- 4 Installieren Sie den Antriebsriemen, indem Sie ihn zuerst vorsichtig über die Riemenscheibe und dann außen über den Plattenteller legen.
- 5 Den Plattenspieler mit dem Gerät zur Drehzahlkontrolle verbinden und dann ans Netz anschließen.

AUFSTELLUNG DES PLATTENSPIELERS

Der Plattenspieler ist für den Gebrauch in HiFi-Anlagen ausgelegt.

Er muss vor Feuchtigkeit und direkter Sonneneinstrahlung geschützt werden.

Der Betrieb in der Nähe von Öfen und anderen Wärmequellen, Elektromotoren und Handys ist zu vermeiden. Wie beschrieben werden die besten klanglichen Eigenschaften nur bei Aufstellung auf einer festen, ebenen Unterlage erreicht.

GESCHWINDIGKEITS-UMSCHALTUNG

Dieser Plattenspieler wird von einer elektronischen Schaltung angesteuert.

- 1 Die innere Taste schaltet die Drehzahl auf $33\frac{1}{3}$ rpm, jeweils Start und Stop. Bei Aktivierung leuchtet die rote LED Anzeige.
- 2 Die äußere Taste schaltet die Drehzahl auf 45rpm, jeweils Start und Stop. Bei Aktivierung leuchtet die rote LED Anzeige.

Der Plattenspieler verfügt darüber hinaus über eine Feineinstellung "Pitch Control" für eine feinfühligere und präzise Anpassung der Drehzahl.

HANDHABUNG DER "PITCH CONTROL"

Bei drehendem Teller werden die Tasten $33\frac{1}{3}$ und 45 gleichzeitig für mehrere Sekunden gedrückt. Sobald die rote LED erlischt, kann die Drehzahl verändert werden.

| PITCH -

Die Taste $33\frac{1}{3}$ rpm solange drücken bis die passende Geschwindigkeit erreicht wird. Die LED blinkt jedes Mal, wenn die Taste gedrückt wird.

| PITCH +

Die Taste 45rpm solange drücken bis die passende Geschwindigkeit erreicht wird. Die LED blinkt jedes Mal, wenn die Taste gedrückt wird.

Um den Modus "Pitch Control" zu verlassen, werden beide Tasten zusammen so lange gedrückt, bis die LED wieder kontinuierlich leuchtet.

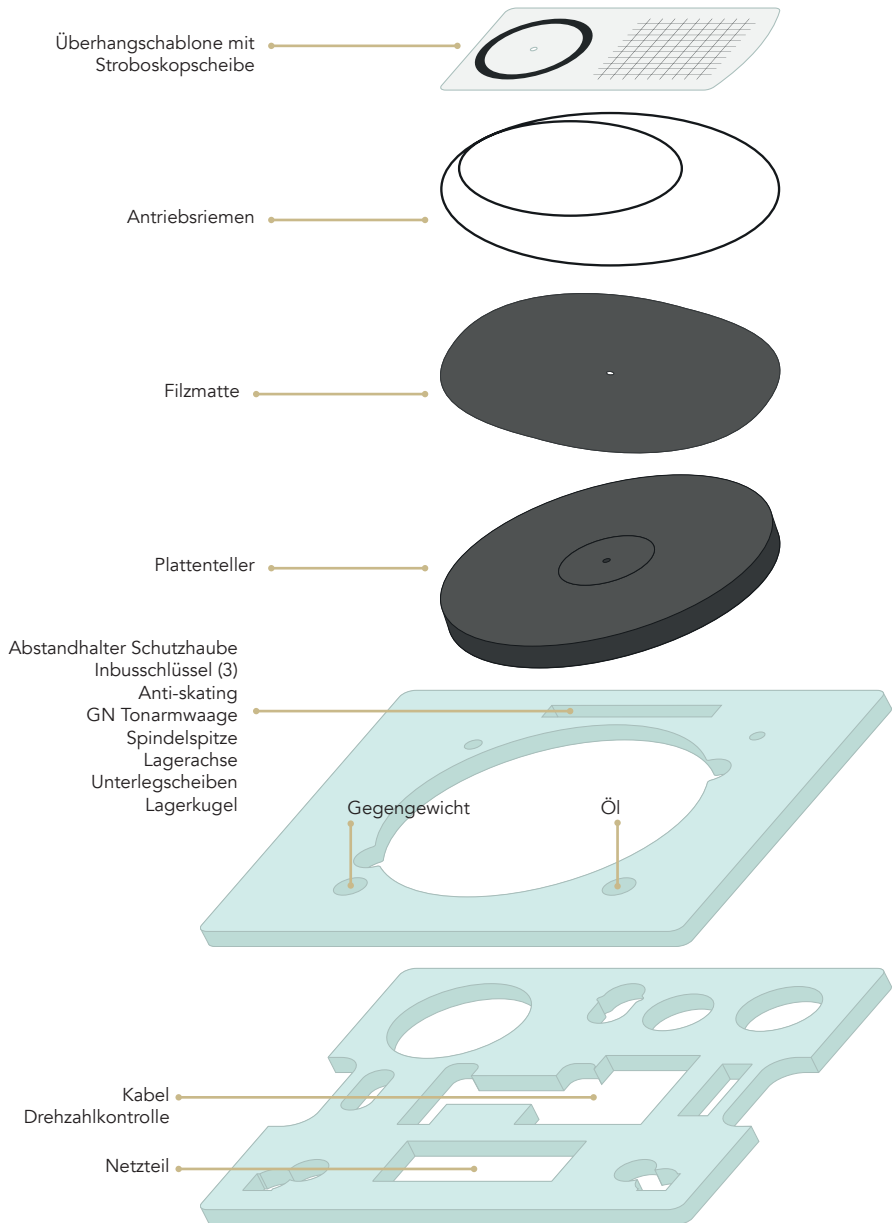
| ZUBEHÖR AUSPACKEN

EN

DE

IT

FR

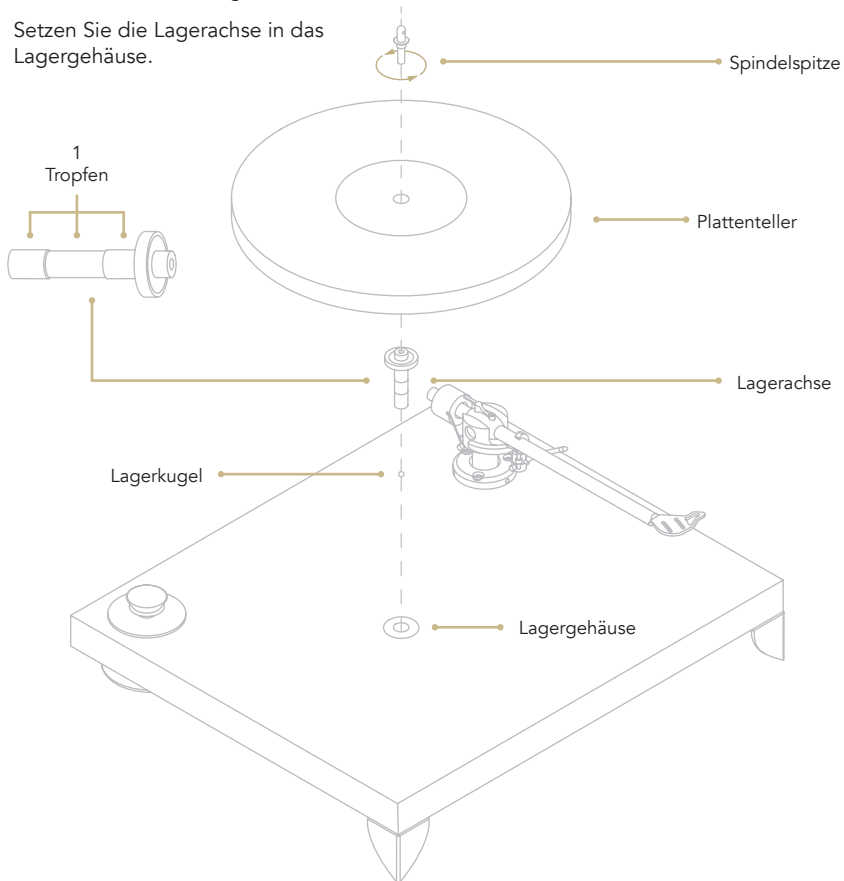


MONTAGE DES PLATTENSPIELERS

PLATTENTELLER

- 1 Entfernen Sie die Kappe in der Mitte des Plattenspielers.
- 2 Die Lagerkugel in das Lagergehäuse einführen und dabei darauf achten, dass sie mittig auf dem Boden sitzt.
- 3 Befeuchten Sie die Lagerachse mit dem Öl wie in der Abbildung unten.
- 4 Setzen Sie die Lagerachse in das Lagergehäuse.
- 5 Legen Sie den Teller auf die Lagerachse.
- 6 Befestigen Sie die Spindelspitze mithilfe des Adapters.

*ACHTUNG: das Lagergehäuse ist bereits im Sockel des Plattenspielers installiert. Bitte nicht entfernen.



EN

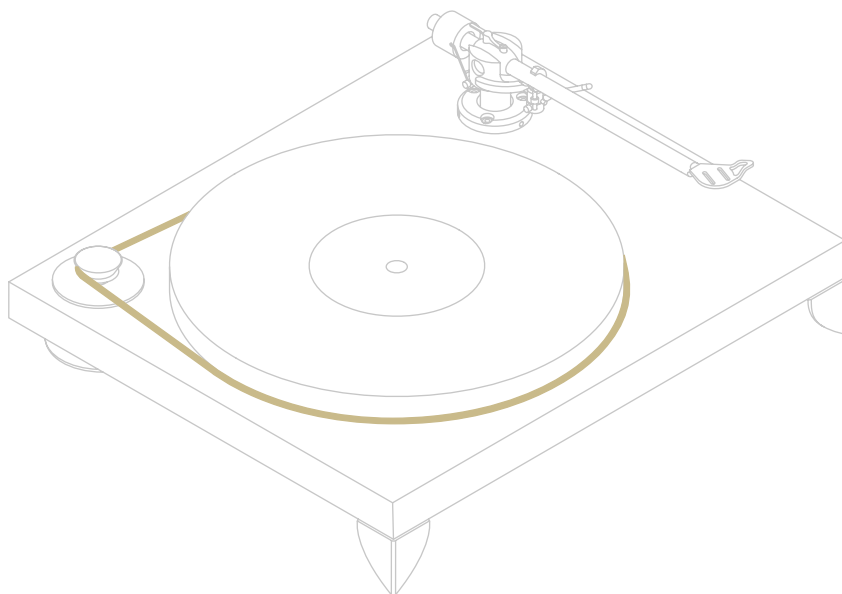
DE

IT

FR

AUFLEGEN DES ANTRIEBSRIEMENS

Der Riemen soll vorsichtig aufgelegt werden und verbindet Antrieb und Teller, wie in der Abbildung gezeigt.



ANTISKATING UND GEGENGEWICHT

1 Anti-skating: Faden mit Gewicht

2 Anti-skating: Hebelarm

3 Gegengewicht für Tonarm:
Zur Einstellung der korrekten Auflagekraft je nach Tonabnehmer in Gebrauch.

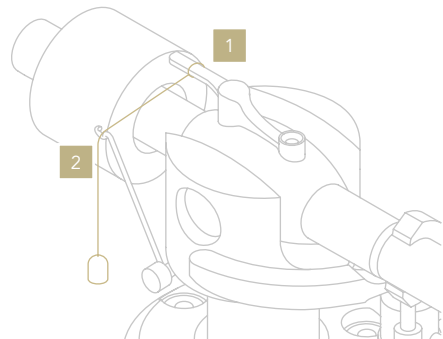


ANTISKATING FADEN ANBRINGEN

1 Die Schlaufe des FADENS am HEBELARM einhängen.

2 Den Faden in die Öse der AUFHÄNGUNG führen.

3 Antiskatingwirkung durch die Position der Schlaufe am HEBELARM justieren.

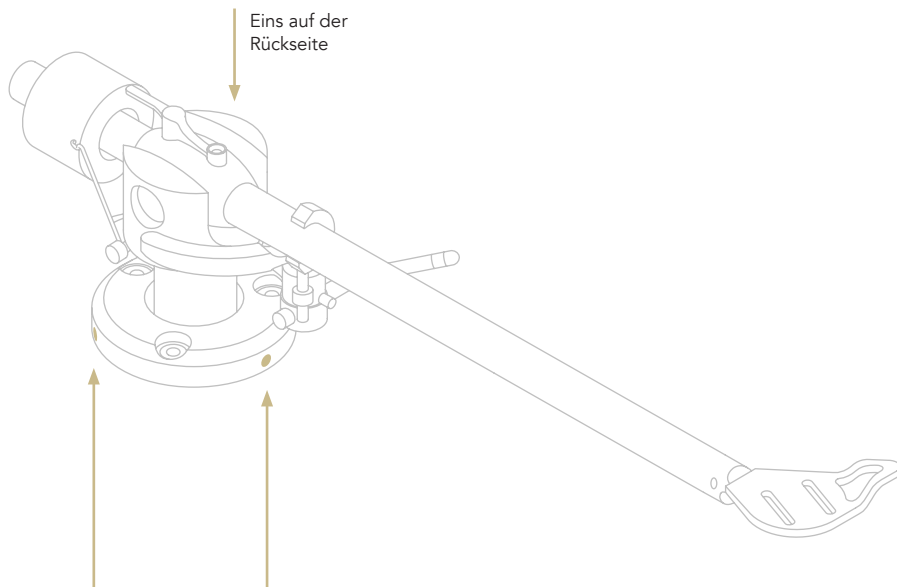


EN

DE

IT

FR



EINSTELLUNG DER TONARMHÖHE

Zur Anpassung des VTA den mitgelieferten 1,5mm-Inbusschlüssel. Bevor Sie den Tonarm bewegen, die Inbusschrauben in der Armplatte lockern. Wir empfehlen, die Schrauben nacheinander zu lösen (normalerweise reicht eine zum Anpassen des VTA).

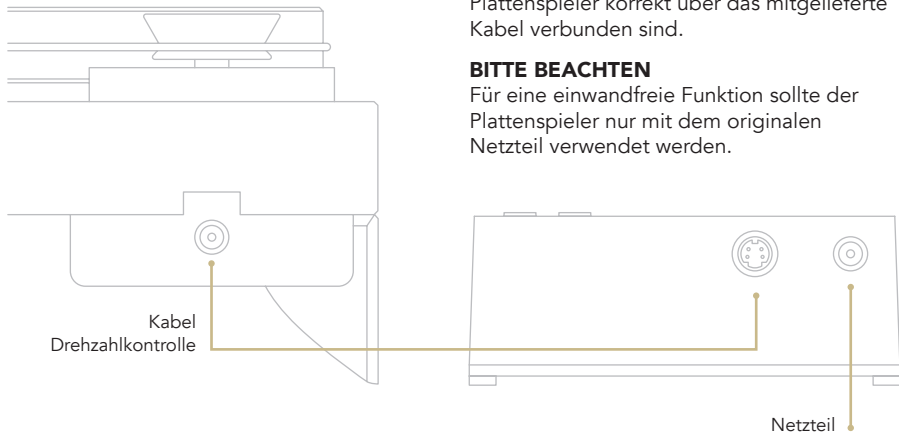
NETZANSCHLUSS UND DREHZAHLUMSCHALTUNG

ANSCHLUSS DES NETZTEILS

Bevor Sie das Versorgungsgerät an das Netz anschließen, versichern Sie sich bitte, dass das Gerät zur Drehzahlkontrolle und der Plattenspieler korrekt über das mitgelieferte Kabel verbunden sind.

BITTE BEACHTEN

Für eine einwandfreie Funktion sollte der Plattenspieler nur mit dem originalen Netzteil verwendet werden.



GESCHWINDIGKEITS-UMSCHALTUNG

33 $\frac{1}{3}$ rpm:

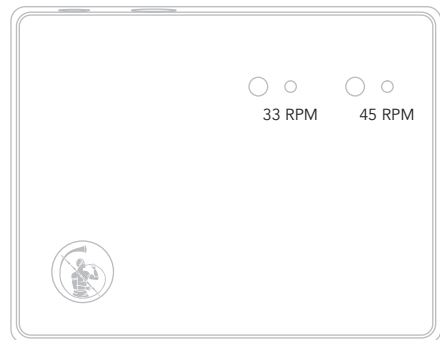
Die innere Taste schaltet die Drehzahl auf 33 $\frac{1}{3}$ rpm, jeweils Start und Stop. Bei Aktivierung leuchtet die rote LED Anzeige.

45rpm:

Die äußere Taste schaltet die Drehzahl auf 45rpm, jeweils Start und Stop. Bei Aktivierung leuchtet die rote LED Anzeige.

PITCH CONTROL MODUS

Auf Seite 26 finden Sie eine ausführliche Anleitung zur Feineinstellung der Drehzahlgeschwindigkeit Ihres Plattenspielers.



| AUSRICHTUNG TONABNEHMER

EN

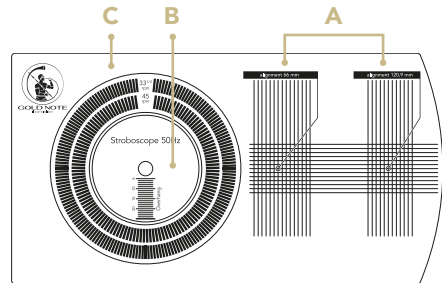
DE

IT

FR

Unsere Plattenspieler und Tonarme werden vor der Auslieferung voreingestellt, aber Sie können anhand der Gold Note Einstellschablone folgendes anpassen:

- A** Orientierung Tonabnehmer.
- B** Überhang.
- C** 45rpm und 33 $\frac{1}{3}$ rpm Drehzahl (Stroboskoplampe nötig).



DREHZAHLKONTROLLE

Kontrollieren Sie die Drehzahl mithilfe einer Stroboskoplampe während sich der Plattenteller dreht.

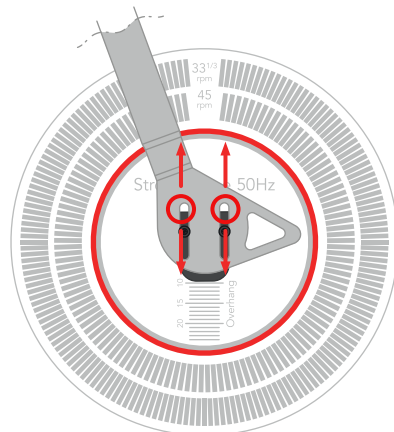
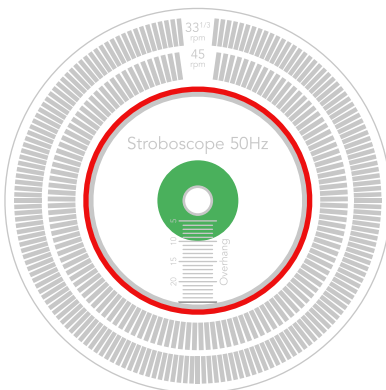
Mit der äußeren Linie wird die 33 $\frac{1}{3}$ rpm geprüft.

Mit der inneren Linie wird die 45rpm geprüft.

ÜBERHANG

Für die korrekte Ausrichtung des Überhangs mit die Schablone auf die Plattenspitze gelegt werden und die Nadel des Abtasters muss über der Spitze positioniert werden.

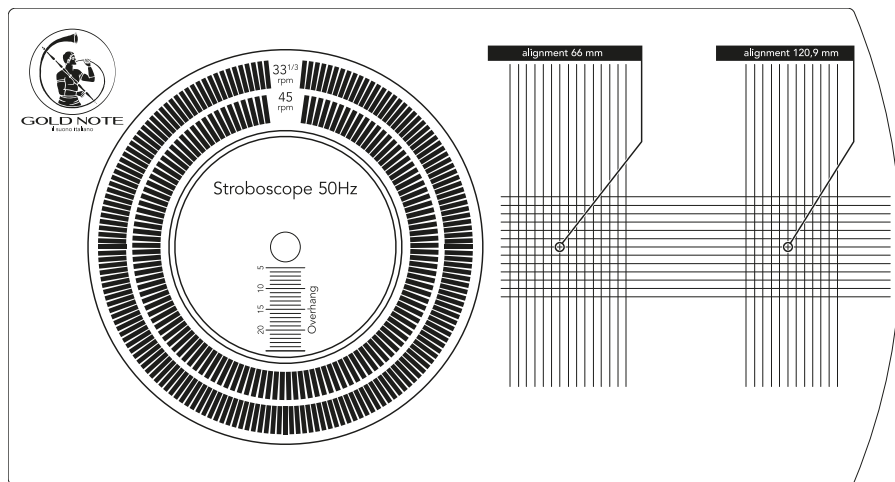
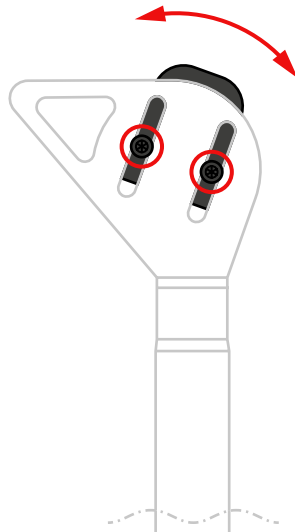
Passen Sie die Position des Tonabnehmers so lange an, bis der empfohlene Überhang erreicht ist, wie es der Hersteller vorgibt.



ORIENTIERUNG TONABNEHMER

Für eine korrekte Einstellung des Abtastwinkels und den bestmöglichen Nadelkontakt mit der Plattenrinne wird die Spitze des Tonabnehmers über den Kreisen ausgerichtet, wie in der unten stehenden Abbildung gezeigt wird.

Der Korpus des Tonabnehmers soll an den vertikalen Hilfslinien ausgerichtet werden.



| ABNEHMBARE SCHUTZHAUBE

EN

DE

IT

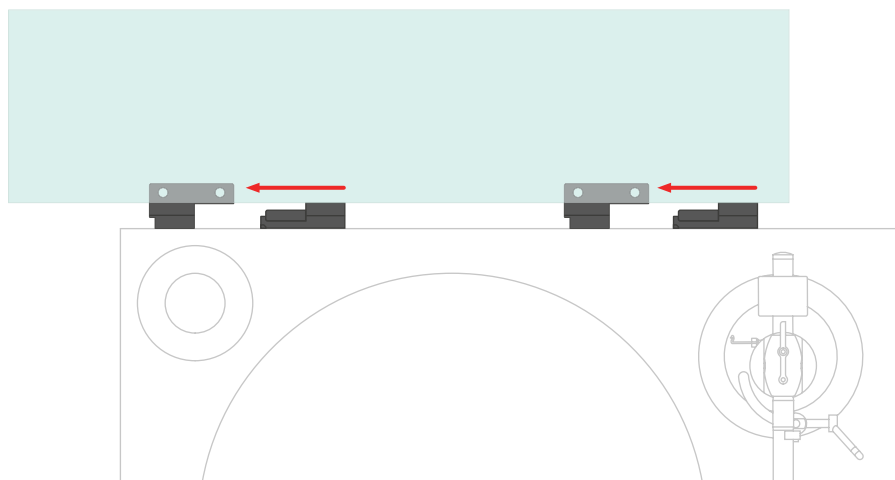
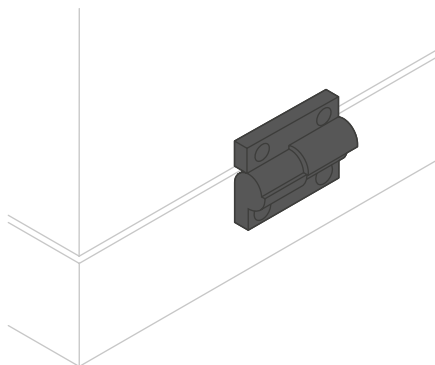
FR

Die firmeneigene Staubschutzhaube hat als Besonderheit lösbare Scharniere, sodass Sie den Plattenspieler nach Ihren Vorlieben nutzen können.

Die aufgeklappte Haube hält in den Scharnieren bei etwa 90° Öffnung und kann dabei nicht nach hinten kippen.

Die Schutzhaube kann schnell und einfach abgenommen werden: die aufgeklappte Haube vorsichtig seitlich nach LINKS schieben, um sie vom Chassis zu lösen.

Bitte beachten: die Abnahme und das Wiedereinsetzen gelingen nur bei ganz geöffneten Scharnieren, im 90° Winkel.



| PRODUKTREGISTRIERUNG

PRODUKTREGISTRIERUNG

Bitte registrieren Sie das Produkt innerhalb von 15 Tagen nach dem Kauf über das zugehörige Formular auf unserer Webseite: www.goldnote.it/produktregistrierung

Geräte, die nicht einwandfrei registriert oder in einem anderen Land als dem des Käufers erworben worden sind, fallen nicht unter die Gewährleistung und eine Registrierung wird verweigert.

Die Gewährleistung erstreckt sich in keinem Fall auf: Röhren, Tonabnehmer-Nadeln und Batterien.



www.goldnote.it/produktregistrierung

WARNUNG

Gold Note Produkte sollten nur von zertifizierten Gold Note Technikern und Fachhändlern geöffnet, gewartet und inspiziert werden. Das Öffnen des Gerätes durch nicht autorisiertes Personal führt zum Erlöschen der Gewährleistung.

GEWÄHRLEISTUNG

Alle Gold Note Geräte verfügen über eine Gewährleistung bezüglich fehlerhafter Materialien und Verarbeitung. Für Reparaturen und Probleme jeglicher Art wenden Sie sich bitte an den Verkäufer, da jede Art von Wartung und Inspektion vom Gold Note Fachhändler oder Vertrieb ausgeführt werden muss.

HINWEIS

Die Beschreibungen und technischen Angaben können sich jederzeit und ohne Vorankündigung ändern.

FEHLERBEHEBUNG

EN

DE

IT

FR

PROBLEM	URSACHE	LÖSUNG
Ausrichtung des Plattenspielers.	Der Plattenspieler ist ungünstig aufgestellt.	Richten Sie den Plattenspieler mithilfe einer Wasserwaage aus, indem Sie die Höhe der FüÙe verstellen. Das Lockern eines Fußes führt zur Erhöhung jener Ecke.
Den Plattenspieler säubern.	Der Plattenspieler ist verstaubt oder muss gesäubert werden.	Vorsichtige Reinigung nur mit weichem, trockenem Baumwolltuch. Scharfe Reinigungsmittel, Alkohol u. ä. und grobe Tücher können die Oberfläche irreversibel beschädigen.
Überhitzung.	Der Motor läuft heiß.	Ein Synchronmotor wie der in diesem Gerät verwendete wird im Betrieb bis zu 50°C warm, das ist normal und kein Grund zur Besorgnis.
Geräusch bei Inbetriebsetzung.	Der Plattenspieler produziert bei Inbetriebsetzung ein leichtes Reibgeräusch.	Es ist normal, dass der Riemen zu Beginn des Antriebs ein leichtes Geräusch abgibt.

| VERWANDTE PRODUKTE

TONABNEHMERSYSTEME

| DONATELLO

Leichter MC Abtaster mit erstklassigen Leistungen. Ausgestattet mit mikro-elliptischen Diamanten, Kupferspulen und einem Gehäuse aus Duraluminium.

| VASARI

Hochwertiger MM Abtaster mit elliptischem oder konischem Diamant sowie Kupferspulen in einem besonderen am PC entworfenen Gehäuse.

PHONO-VORSTUFEN

| PH-10

Der PH-10 ist ein ganz und gar analoger Phono-Vorverstärker, der einzigartige Funktionen bietet, inklusive EQ Kurven, Anpassungen von Eingangsimpedanz und Verstärkung, und eine intuitive Bedienung dank SKC (Single Knob Control Drehknopf) und Bildschirm.

NETZTEILE

| PST-10

Das PST-10 ist das externe Netzteil für Gold Note-Plattenspieler. Verbessert die Klangbühne und den Dynamikbereich und liefert noch feinere Details und Realismus.



Entdecken Sie mehr auf unserer Website

www.goldnote.it

EN

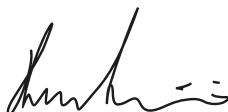
DE

IT

FR

*Grazie per aver acquistato una delle nostre
unità e benvenuto nel mondo di Gold Note,
dove trasformiamo l'audio e la musica High-
End in un'esperienza completamente nuova.*

Maurizio Aterini,
fondatore di Gold Note



INFORMAZIONI IMPORTANTI SULLA SICUREZZA

NOTA BENE

- 1 Non smontare il prodotto in nessuna parte.
- 2 Non utilizzare i componenti del prodotto per alcun motivo.
- 3 Per assistenza e problemi di ogni genere contatta solamente personale Gold Note qualificato.
- 4 Proteggi il prodotto da pioggia, umidità e tieni distanti le sorgenti di calore, elettriche, motori elettrici ecc. Il cavo di alimentazione in dotazione può essere usato solo su questa unità.
- 5 Gold Note non ha la responsabilità per ogni uso improprio di questa unità.

INFORMAZIONI GENERALI

- | Leggi e conserva le istruzioni.
- | Presta attenzione a tutti gli avvertimenti.
- | Segui tutte le indicazioni.
- | Non utilizzare questa unità vicino all'acqua.
- | Pulisci l'unità solo con un panno asciutto.
- | Non bloccare le fessure di ventilazione ed esegui l'installazione seguendo le procedure indicate dal produttore.
- | Non installare vicino a fonti di calore come termosifoni, termoregolatori, stufe o altri apparecchi (inclusi gli amplificatori) che producono calore.
- | Una spina con messa a terra ha due lame e un terzo polo di messa a terra. La lama larga o il terzo polo sono forniti per la vostra sicurezza. Se la spina fornita non si adatta alla presa, consultare un elettricista per la sostituzione della presa obsoleta.

- | Proteggere il cavo di alimentazione dall'essere calpestato o schiacciato in particolare in corrispondenza di spine, prese di corrente e nel punto in cui escono dall'apparecchio.
- | Utilizzare solo attacchi/accessori specificati dal produttore.
- | Utilizzare solo con carrello, supporto, treppiede, staffa o tavolo specificati dal produttore o venduti con l'apparato. Quando si utilizza un carrello, prestare attenzione quando si sposta la combinazione carrello/apparato per evitare lesioni da ribaltamento.
- | Scollega il prodotto dalla corrente durante i temporali o quando non viene utilizzato per lunghi periodi di tempo.
- | Rivolgerti a personale qualificato ed autorizzato da Gold Note per qualsiasi intervento.
- | La manutenzione è necessaria quando l'apparato è stato danneggiato in qualsiasi modo (ad esempio quando il cavo di alimentazione o la spina sono danneggiati, è stato versato del liquido o sono caduti oggetti nell'apparecchio, l'unità è stata esposta a pioggia o umidità) e comunque quando l'apparecchio non funziona normalmente o è caduto.

Questo apparecchio è identificato da un numero di serie esclusivo posto sul retro.
Si prega di registrare qui il numero di serie e conservare questo documento.

MODELLO

NUMERO DI SERIE



ATTENZIONE!

Non rimuovere parti o aprire l'apparecchio per evitare il rischio di scosse elettriche. In caso di necessità rivolgersi esclusivamente a personale qualificato.



ATTENZIONE!

Pericolo di incendio e scosse elettriche: tenere al riparo da umidità, acqua e altri agenti atmosferici.



GOLD NOTE - Informazioni sulla corretta gestione dei Rifiuti da Apparecchiature Elettriche ed Elettroniche (RAEE) domestiche ai sensi della Direttiva Europea 2012/19/EU

Il simbolo del cassonetto barrato riportato sull'apparecchiatura o sulla sua confezione indica che il prodotto alla fine della propria vita utile deve essere raccolto separatamente dagli altri rifiuti per permetterne un adeguato trattamento e riciclo. L'utente dovrà, pertanto, conferire gratuitamente l'apparecchiatura giunta a fine vita ai punti disponibili per la raccolta differenziata dei rifiuti elettrici ed elettronici – RAEE - oppure riconsegnarla al rivenditore secondo le modalità previste.

L'adeguata raccolta differenziata dell'apparecchiatura dismessa permette una gestione del rifiuto ambientalmente compatibile, quindi contribuisce ad evitare possibili dispersioni di sostanze pericolose, effetti negativi sull'ambiente e sulla salute, favorendo il reimpiego e/o riciclo dei materiali di cui è composta l'apparecchiatura. Lo smaltimento abusivo del prodotto da parte dell'utente comporta l'applicazione delle sanzioni previste dalla corrente normativa di legge. Vi preghiamo di verificare la normativa vigente e le misure adottate dal servizio pubblico operante nel vostro Paese o territorio.

| INDICE

INTRODUZIONE E DESCRIZIONE	45
DESIGN E PERFORMANCE	46
SPECIFICHE TECNICHE	47
PRIMA CONFIGURAZIONE	48
DISIMBALLO	49
ASSEMBLAGGIO	50
CONTROLLO DELLA VELOCITÀ	54
CALIBRAZIONE DELLA TESTINA	55
CAPPA PARA-POLVERE	57
REGISTRAZIONE PRODOTTO	58
RISOLUZIONE PROBLEMI	59
PRODOTTI CORRELATI	60

CONTENUTO DELLA CONFEZIONE

EN

DE

IT

FR

1x

VALORE 425 PLUS

1x

ALIMENTATORE 18V
(con cavo)

1x

PERNO DEL
PIATTO

1X

BRACCIO
(già installato e calibrato)

1x

CUSCINETTO
A SFERRA

2x

CONTRAPPESI
| 110g | 28.5g

3x

CHIAVI A BRUGOLA
| 2.5mm | 2.0mm | 1.5mm

1x

CINGHIA DI TRASMISSIONE

1x

TAPPETINO
PER VINILI

1x

OLIO PER
GIRADISCHI

1x

PROTRACTOR/OVERHANG E
STROBOSCOPIO

1x

CAPPA PARA-POLVERE
(con distanziali)

1x

UNITÀ DI CONTROLLO DELLA
VELOCITÀ
(con cavo)

1x

GN STYLUS
GAUGE

1x

ANTI-
SKATING

1x

MANUALE
UTENTE

3x

SOTTOPUNTA
PER GIRADISCHI

| INTRODUZIONE E DESCRIZIONE

Il Valore 425 Plus è l'evoluzione del giradischi Valore - prodotto da Gold Note dal 2010 - ed è uno dei giradischi High-End di maggior successo, creato per combinare performance audiofile e un'alta qualità dei materiali.

Il Valore 425 Plus è caratterizzato da un plinto spesso 30mm, disegnato partendo dal perno e dal motore in modo da ridurre drasticamente il rumore. Il piatto di 23mm di spessore è realizzato in POM: uno speciale polimero molto rigido e amorfo in grado di ridurre straordinariamente le vibrazioni.

Il progetto del piatto e del sistema perno/pozzetto deriva direttamente dai nostri giradischi top di gamma. I componenti vengono lavorati con macchine ad alta precisione per fare di questo giradischi il migliore della sua categoria.

Il sistema perno/pozzetto del piatto, lungo 60mm, è completamente affogato all'interno del plinto in modo da far ruotare il piatto del giradischi a soli 3mm dal piano, così da ridurre drasticamente le turbolenze d'aria generate dalla rotazione ed eliminando vibrazioni e rumore.

Il motore a 12V sincrono controllato elettronicamente con tecnologia PWM – Pulse Width Modulator – trasforma la tensione in tre passaggi, AC-DC-AC, potenziando l'accoppiamento delle semi-onde con le tre fasi del motore e annullando virtualmente ogni tipo di vibrazione, mantenendo un'elevata coppia motore.

L'alimentazione del motore controlla elettronicamente le velocità a $33\frac{1}{3}$ e 45 rpm e la regolazione fine della velocità.

La puleggia del motore con design a clessidra e una superficie estremamente levigata, permette alla cinghia di trazione di scorrere in modo omogeneo e fluido riducendo il wow&flutter e il rumore.

Il Valore 425 Plus può essere equipaggiato con un braccio di 9" di qualsiasi produttore, aprendo la strada a innumerevoli combinazioni. Di serie, Valore 425 Plus, dispone di un braccio Gold Note dedicato e di una cappa para-polvere removibile.

Il Valore 425 Plus è un giradischi straordinario, integrabile in una grande varietà di sistemi audio di alto livello: è estremamente affidabile e facile da usare, la scelta ideale per tutti gli appassionati di audio che ricercano qualità sonore, eleganza ed efficienza.

Una nuova esperienza audio ti aspetta, benvenuto nel Suono italiano.

| DESIGN E PERFORMANCE

EN

DE

IT

FR

La performance musicale dei nostri giradischi è il risultato della sinergia di molti componenti. Il Valore 425 Plus è composto da dettagli raffinati e soluzioni tecniche sviluppati per garantire la perfetta riproduzione dei vinili.

| Il plinto è realizzato in noce italiano o MDF. È spesso 30mm per garantire una struttura rigida, stabilità e prevenire vibrazioni indesiderate.

| Il piatto di 23mm di spessore è realizzato in POM: uno speciale polimero molto rigido e amorfo in grado di ridurre straordinariamente le vibrazioni.

| Realizzato in acciaio inox di alta qualità, il perno è lavorato con macchine ad alta precisione per raggiungere tolleranze minime e garantire la speciale forma conica SplitSpindle™ che abbiamo sviluppato appositamente per i nostri giradischi. Le dimensioni del perno, lungo 60mm, assicurano performance elevate ed il design permette al perno di sfruttare l'olio lubrificante per mantenere fluidità di rotazione. Il design del perno e il rapporto tra perno e pozzetto sono stati messi a punto per distribuire l'energia su tutto il suo asse, annullando completamente qualsiasi tipo di attrito laterale e prevenire oscillazioni.

| Particolare attenzione è stata dedicata al pozzetto del perno che è incassato nella struttura così da permettere al piatto di minimizzare ogni possibile interferenza dovuta alla turbolenza generata dall'aria interstiziale che potrebbe altrimenti disturbare il regime di rotazione del piatto.

| Il pozzetto in alluminio è finemente lavorato e rettificato per raggiungere la massima stabilità di rotazione costante, mentre il cuscinetto inferiore è realizzato su misura per consentire un'ulteriore abbassamento della rumorosità.

| Il pozzetto del piatto presenta una filettatura esterna per consentire un accoppiamento estremamente preciso.

| I nostri ingegneri hanno sviluppato il motore da 12V gestito da un micro-controllore, che permette il controllo elettronico finr della velocità a $33\frac{1}{3}$ e 45 rpm. Questo motore speciale garantisce un bilanciamento perfetto tra potenza e coppia motrice erogata, per raggiungere la stabilità di rotazione nel più completo silenzio.

| SPECIFICHE TECNICHE

CARATTERISTICHE PRINCIPALI

- | Wow & flutter:
0,2%
- | Rumble:
-75dB
- | Velocità:
33 $\frac{1}{3}$ rpm e 45 rpm \pm 0,1%
- | Cambio velocità:
Elettronico con regolazione fine della velocità
- | Trasmissione:
A cinghia in NBR rettificata
- | Motore:
12V high torque sincrono
- | Piatto:
23mm in POM
- | Perno del piatto:
Split-spindle™
- | Pozzetto del piatto:
Sfera di 5mm in acciaio al cromo
- | Braccio:
Gold Note B-5
- | Cappa parapolvere:
Acilico trasparente e rimovibile

ALIMENTAZIONE

- | Alimentazione:
18V DC, 100-240V / 50-60Hz
- | Assorbimento nominale:
27W massimo

DIMENSIONI E PESO

- Dimensioni:
425mm L | 160mm A | 360mm P
550mm L | 480mm A | 480mm P - imballato
- Peso:
Kg. 9.5
Kg. 15 - imballato

| PRIMA CONFIGURAZIONE

EN

DE

IT

FR

OPERAZIONI INIZIALI

- 1 Rimuovere con attenzione gli imballi avendo cura di controllare che sia presente quanto elencato nei contenuti della confezione.
- 2 Collocare il plinto su di una superficie piana.
- 3 Montare il contrappeso sulla parte posteriore del braccio e posizionarlo per ottenere il peso di tracciamento consigliato per la testina utilizzata.
- 4 Posizionare la cinghia di trasmissione intorno alla puleggia e successivamente al perimetro esterno del piatto.
- 5 Connetti il giradischi all'unità di controllo della velocità, poi connetti il cavo di alimentazione alla presa domestica.

POSIZIONARE IL GIRADISCHI

Il vostro giradischi è stato progettato per l'impianto Hi-Fi domestico e deve essere protetto da fonti dirette di luce e umidità. Non posizionare il giradischi vicino a fonti di calore, motori, apparati elettrici ed elettronici, etc. Per godere della migliore resa audio è necessario assicurarsi che il giradischi sia perfettamente livellato e si trovi su di una superficie piana.

CONTROLLO DELLA VELOCITÀ

Il giradischi è controllato da un'alimentazione elettronica precisa e sofisticata.

- 1 33rpm avvia e ferma la velocità di riproduzione a 33 $\frac{1}{3}$ rpm. Il corrispondente LED si accende durante la riproduzione.
- 2 45rpm avvia e ferma la velocità di riproduzione a 45rpm. Il corrispondente LED si accende durante la riproduzione.

Il giradischi è dotato anche di una regolazione fine della velocità "Pitch Control" che permette di ottenere una precisa calibrazione della velocità.

PITCH CONTROL

Per regolare la velocità premere e tenere premuti i tasti 33rpm e 45rpm mentre una delle velocità è attiva fin quando il LED si spegne.

| PITCH -

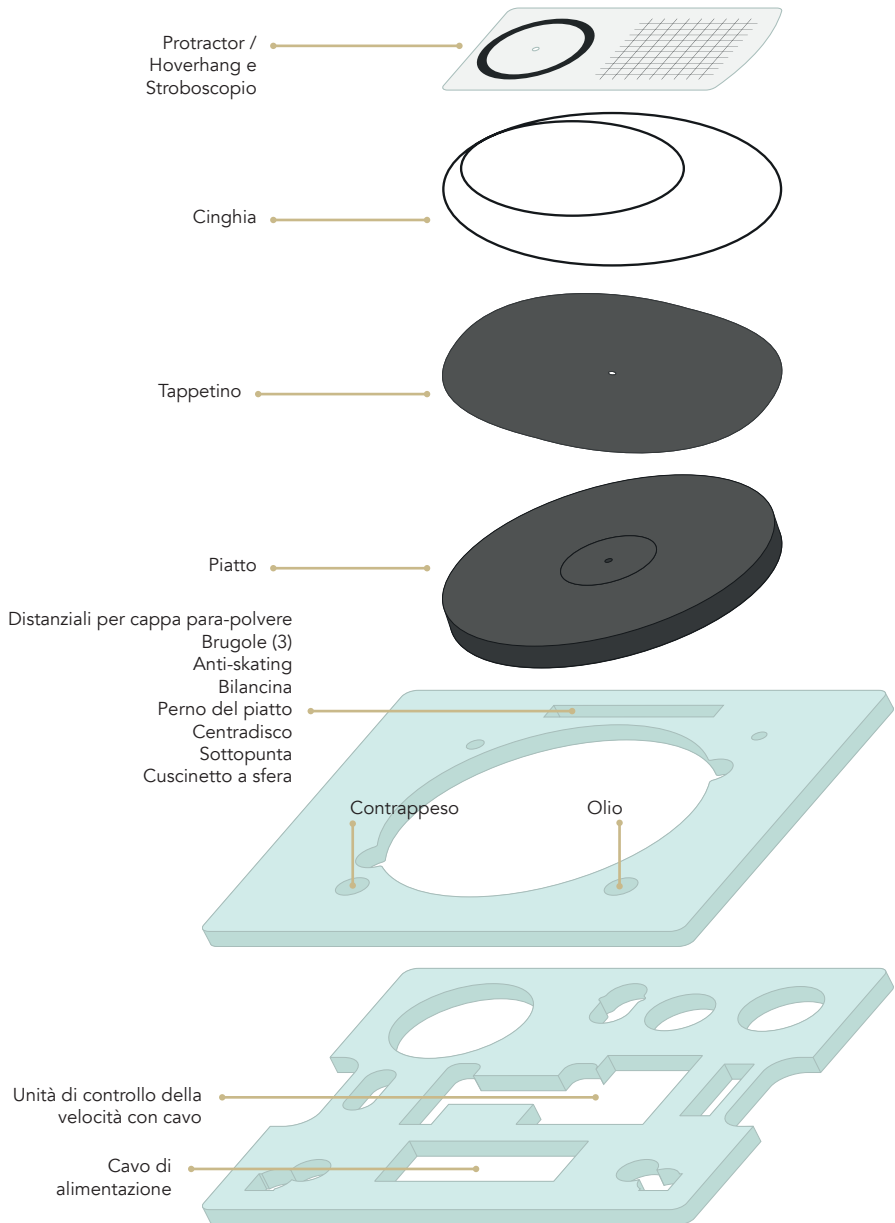
Premere ripetutamente il tasto 33rpm fino al raggiungimento della velocità desiderata.

| PITCH +

Premere ripetutamente il tasto 45rpm fino al raggiungimento della velocità desiderata.

Per uscire dalla modalità di controllo del PITCH premere e tenere premuti per 4 secondi i tasti 33rpm e 45rpm fino a quando il LED è nuovamente acceso e fisso.

| DISIMBALLO



| ASSEMBLAGGIO

EN

DE

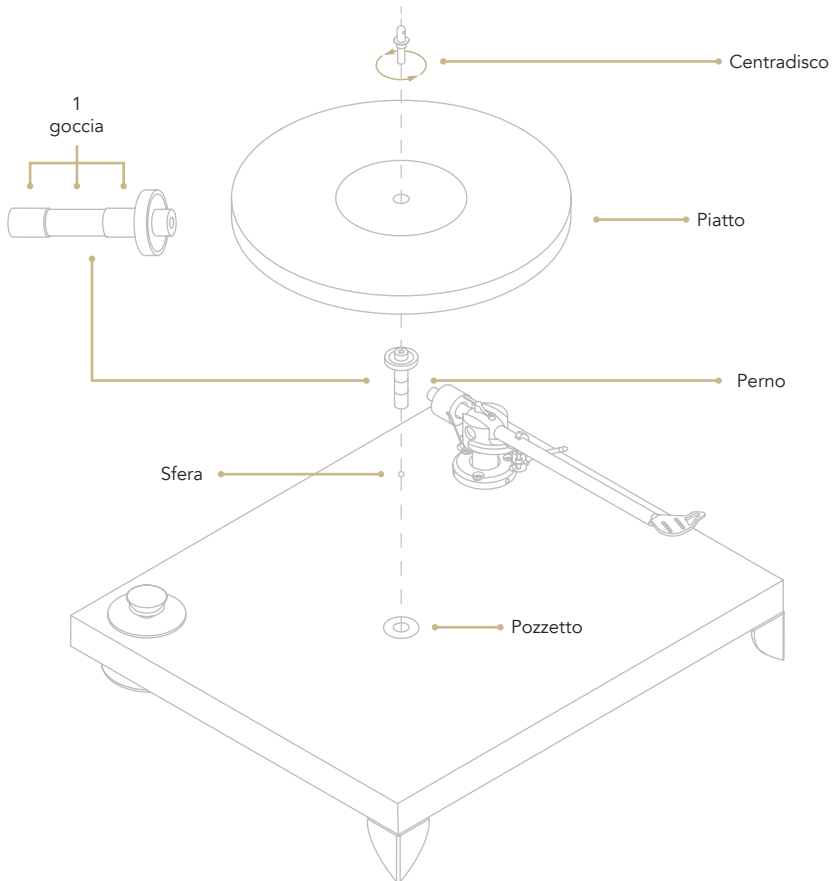
IT

FR

PIATTO

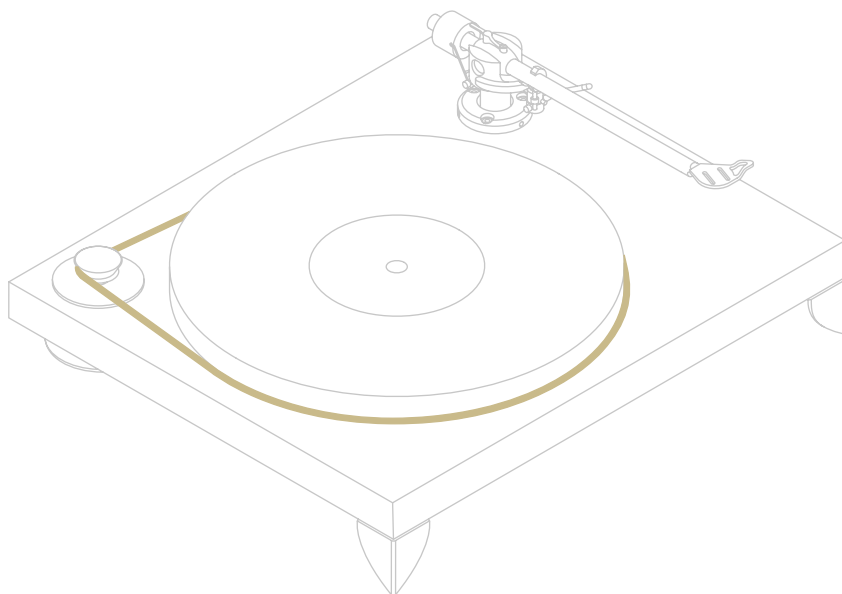
- 1 Rimuovere il tappo dal centro del giradischi.
- 2 Inserire la sfera nel pozzetto del giradischi assicurandosi che si posizioni al centro.
- 3 Oliare il perno del piatto come indicato in figura.
- 4 Inserire il perno nel pozzetto.
- 5 Posizionare il piatto sul perno.
- 6 Avvitare il centradisco sulla parte superiore del piatto per assicurarlo al giradischi.

*NOTA BENE: il pozzetto è già installato sul giradischi, non rimuoverlo.



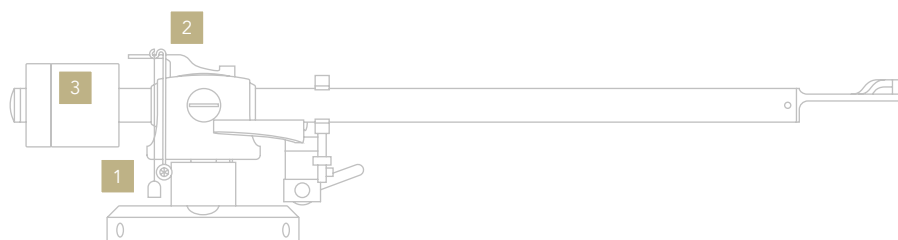
CINGHIA

Installare la cinghia di trasmissione facendola scorrere intorno al perimetro esterno della puleggia e successivamente al piatto, come mostrato in figura.



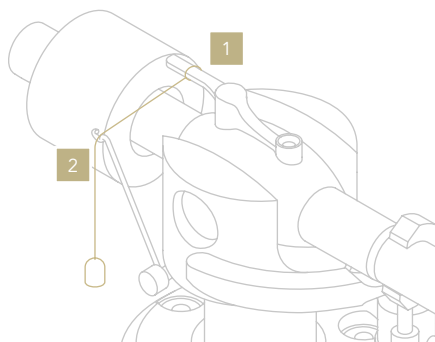
ANTI-SKATING E CONTRAPPESI

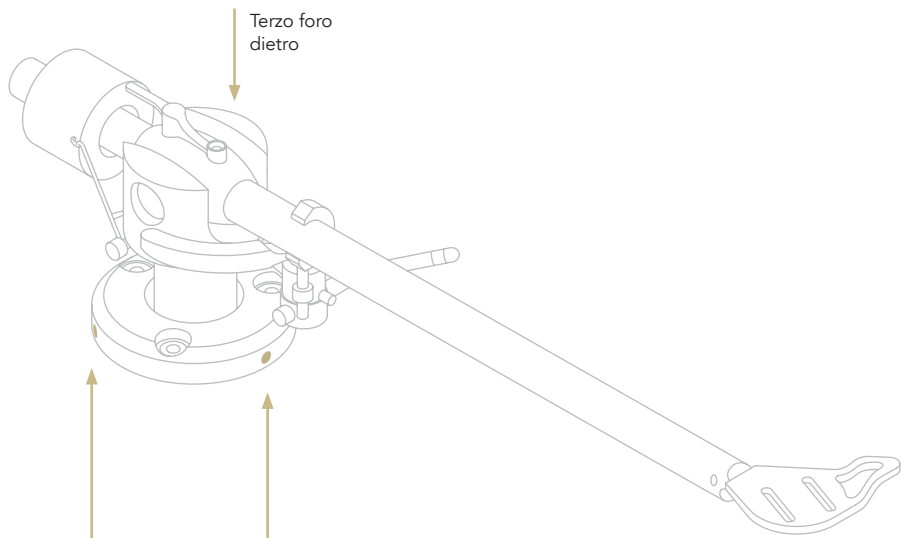
- 1 Anti-skating: Filo in nylon con contrappeso.
- 2 Anti-skating: Barra di regolazione.
- 3 Contrappeso del braccio: Regolabile per aggiustare il peso di tracciamento della testina.



REGOLAZIONE DELL'ANTI-SKATING

- 1 Passare l'occhiello del filo dell'Anti-skating sulla barra di regolazione adagiandolo in uno dei 5 solchi.
- 2 Inserire il filo dell'Anti-skating nell'anello di supporto così che il contrappeso applichi tensione al filo.
- 3 Regolare l'intensità dell'Anti-skating scegliendo il solco adeguato (fare riferimento alla figura sotto).





CONFIGURAZIONE VTA

Per regolare il VTA utilizzare la chiave a brugola da 1,5mm. Prima di muovere il braccio è necessario allentare i bulloni sulla base del braccio. Consigliamo di allentarli uno alla volta (spesso è sufficiente allentarne uno solo per regolare il VTA).

| CONTROLLO DELLA VELOCITÀ

EN

DE

IT

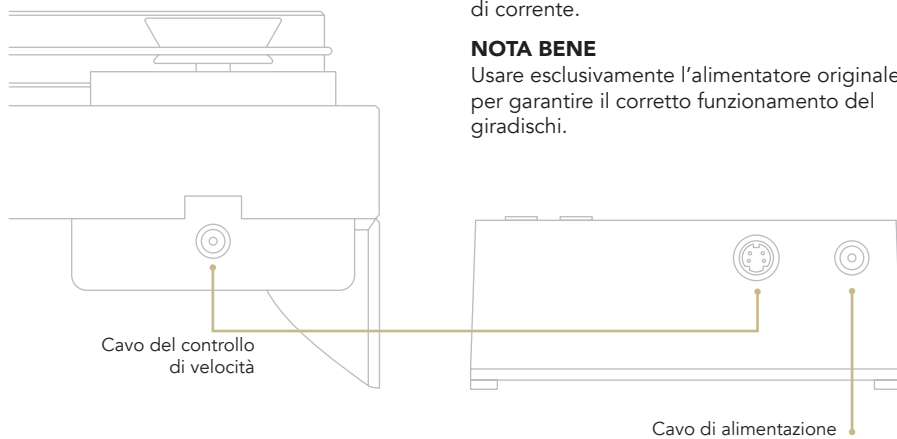
FR

CONNETTERE L'ALIMENTAZIONE

Assicurarsi di aver connesso l'alimentatore all'unità di controllo della velocità con il cavo in dotazione prima di connetterlo alla presa di corrente.

NOTA BENE

Usare esclusivamente l'alimentatore originale per garantire il corretto funzionamento del giradischi.



CONTROLLO DELLA VELOCITÀ

33rpm:

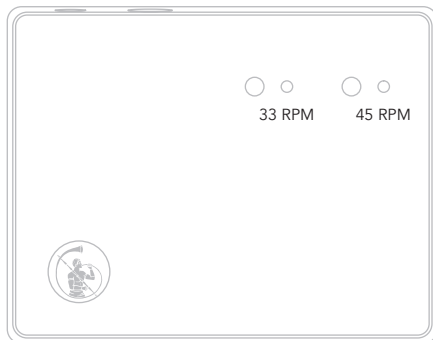
Avvia e ferma la riproduzione a 33 $\frac{1}{3}$ rpm.
Il LED è acceso quando la velocità è in uso.

45rpm:

Avvia e ferma la riproduzione a 45rpm.
Il LED è acceso quando la velocità è in uso.

PITCH CONTROL

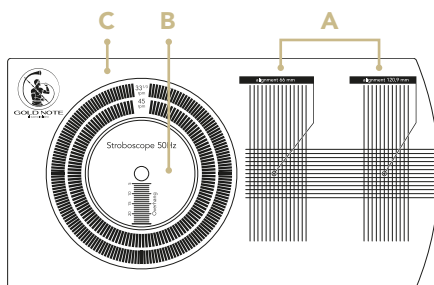
Per le istruzioni su come effettuare la regolazione precisa della velocità "Pitch Control" vedere pagina 48.



| CALIBRAZIONE DELLA TESTINA

I nostri giradischi e bracci vengono sempre pre-calibrati in fabbrica, ma è possibile usare l'apposito strumento per regolare:

- A** Allineamento della testina phono.
- B** Overhang.
- C** Pitch (è richiesta una luce strobo)



REGOLAZIONE DELLA VELOCITÀ

È possibile controllare il PITCH con l'aiuto di una luce strobo mentre il piatto sta girando.

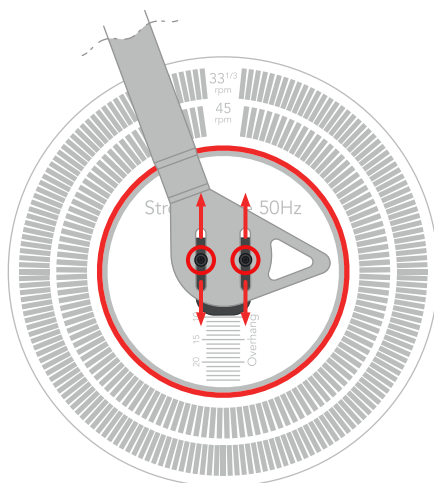
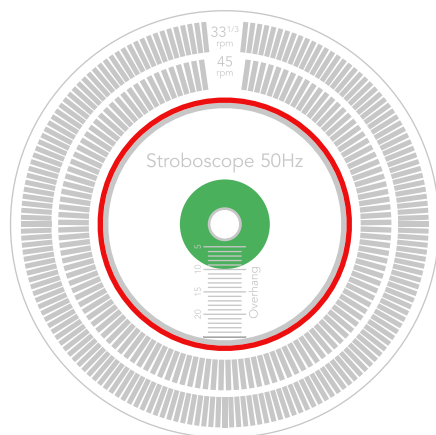
Per la velocità a $33\frac{1}{3}$ rpm fare riferimento alla linea esterna.

Per la velocità a 45rpm fare riferimento alla linea interna.

OVERHANG

Per impostare correttamente l'Overhang è necessario che lo strumento di calibrazione sia inserito sul perno del piatto e che la punta della testina sia esattamente sopra al centro del perno.

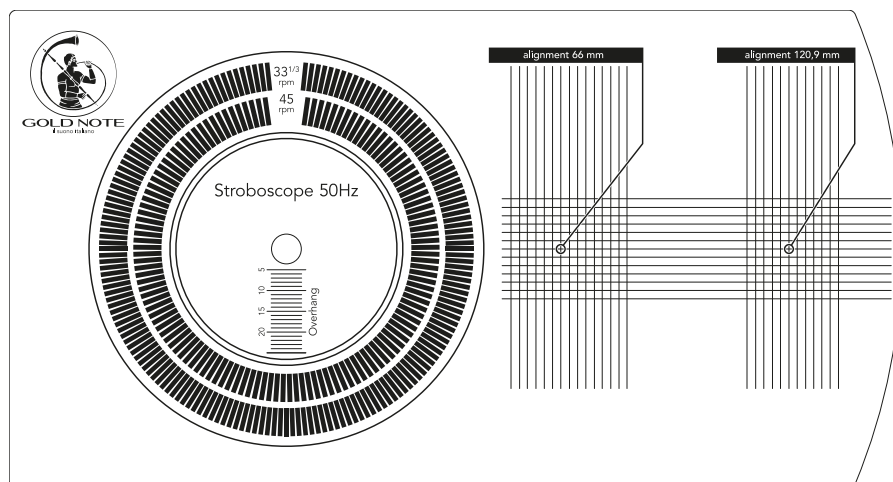
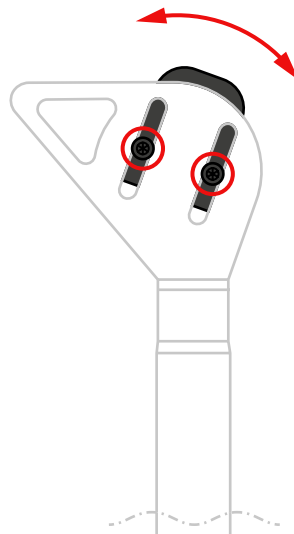
Aggiustare la posizione della testina seguendo le indicazioni fornite dal produttore per ottenere la migliore resa audio.



ALLINEAMENTO DELLA TESTINA

Per allineare correttamente la testina ed ottenere il miglior tracciamento possibile è necessario posizionare la punta della testina al centro delle aree delimitate dai due cerchi in figura qui sotto.

Il corpo della testina deve essere allineato con le linee verticali della griglia.



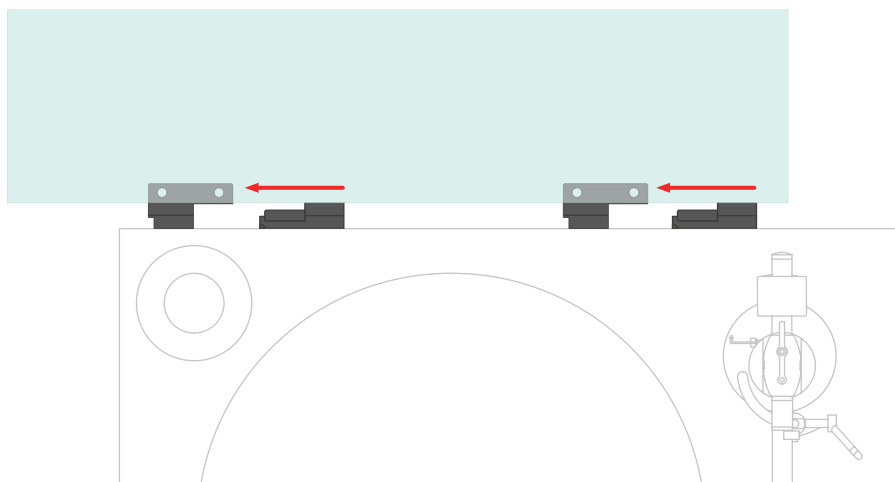
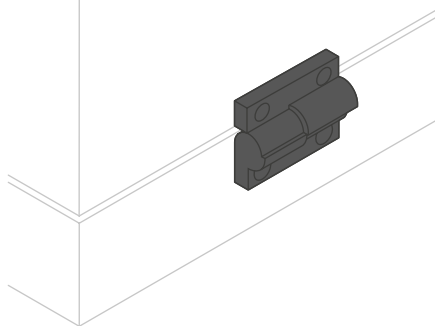
| CAPPA PARAPOLVERE

La cappa para-polvere è dotata di cerniere scomponibili, un design proprietario sviluppato per offrire la miglior esperienza.

Le cerniere hanno un punto di stop a 90° e può quindi essere lasciata aperta.

Per rimuovere la cappa para-polvere è sufficiente aprirla fin quando non si raggiunge il punto di stop a 90° e sfilarla poi delicatamente facendola scivolare verso SINISTRA ed avendo cura di tenere fermo il giradischi.

NOTA BENE: La rimozione e l'inserimento della cappa sono possibili solamente quando questa è posizionata in verticale.



| REGISTRAZIONE PRODOTTO

EN

DE

IT

FR

REGISTRAZIONE PRODOTTO

Si prega di registrare il prodotto tramite l'apposito form sul nostro sito entro e non oltre 15 giorni dall'acquisto:

www.goldnote.it/registrazione-prodotto

In caso il prodotto non venga registrato correttamente tramite l'apposito form o sia stato acquistato in un paese diverso da quello di residenza del possessore, la garanzia sarà automaticamente invalidata e la registrazione del prodotto rifiutata.

La garanzia non copre in nessun caso le seguenti parti: valvole, puntina stilo delle testine fonografiche e batterie.



www.goldnote.it/registrazione-prodotto

GARANZIA

Tutti i prodotti Gold Note sono coperti da garanzia in caso di malfunzionamento o difetti di produzione.

Le operazioni di assistenza su prodotti in garanzia devono essere condotte da rivenditori e tecnici qualificati Gold Note, in caso di problemi si prega pertanto di rivolgersi al proprio rivenditore.

NOTA BENE

Le descrizioni, immagini e caratteristiche tecniche qui descritte possono variare in ogni momento senza preavviso.

ATTENZIONE

I prodotti Gold Note devono essere ispezionati, controllati e disassemblati solo da tecnici e rivenditori qualificati. In caso di intervento eseguito da personale non autorizzato, la garanzia sarà ritenuta invalidata.

In questo caso, contattare il proprio rivenditore per essere informato su come risolvere il problema.

| RISOLUZIONE PROBLEMI

PROBLEMA	CAUSA	SOLUZIONE
Livellamento del giradischi.	Il giradischi non è livellato.	Con una livella a bolla, livellare il piatto del giradischi avvitando o svitando i piedi. Svitando un piede si va ad aumentare l'altezza.
Pulire il giradischi.	Il giradischi è sporco e deve essere pulito.	Per eliminare polvere e macchie, utilizzare con estrema attenzione un panno 100% cotone molto morbido. Qualsiasi acido, alcol o panno non estremamente morbido danneggia irreversibilmente l'estetica del giradischi. Utilizzare SOLO panni asciutti.
Riscaldamento del motore.	Il motore è troppo caldo.	I motori AC sincroni come quelli utilizzati da Gold Note possono riscaldarsi fino a 50 ° Celsius senza creare alcun problema.
Rumore all'avvio.	Il giradischi produce un lieve rumore di sfregamento all'avvio.	È normale per la cinghia di trasmissione produca un lieve rumore all'avvio.

| PRODOTTI CORRELATI

EN

DE

IT

FR

TESTINE

| DONATELLO

Testina MC leggera e con prestazioni al top di gamma. Presenta diamanti Micro Ellittici, bobine in rame e corpo in Duralluminio.

| VASARI

Testina MM di alta qualità con punte diamantate ellittiche o coniche e bobine in rame. Tutto in uno speciale corpo progettato da computer.

PRE PHONO

| PH-10

Il PH-10 è un preamplificatore phono completamente analogico che offre caratteristiche uniche, tra cui CURVE EQ, LOAD e GAIN regolabili e un'esperienza utente intuitiva grazie al SKC (Single Knob Control) e al display.

ALIMENTAZIONI

| PST-10

Alimentazione esterna dedicata ai giradischi Gold Note. Design con filtro induttivo per realismo e dinamica superiori. Il massimo in termini di prestazioni e musicalità.



Scopri di più sul nostro sito

www.goldnote.it

MANUEL D'UTILISATION EN FRANÇAIS



Scannez le QR-Code
ou rendez-vous sur

[https://www.goldnote.it/
download/manual/FR_VALORE-
425-PLUS.pdf](https://www.goldnote.it/download/manual/FR_VALORE-425-PLUS.pdf)



Designed and handmade in Firenze, Italy
www.goldnote.it
Akamai S.r.l. All rights reserved

Downloaded from www.linephaze.com

- Find specs, manuals and used listings across thousands of audio products